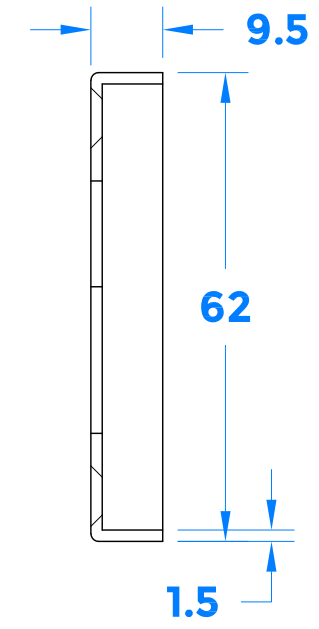
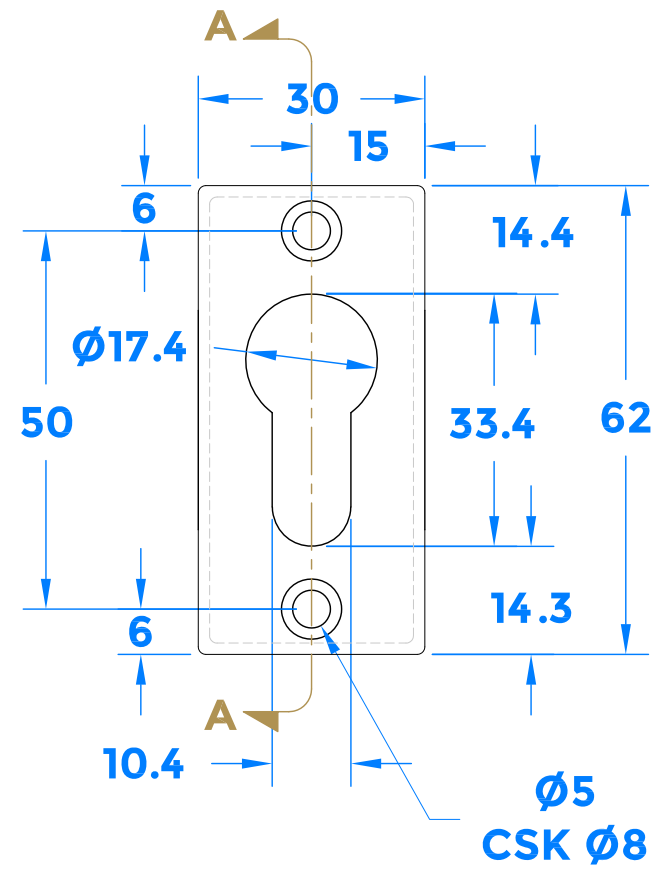


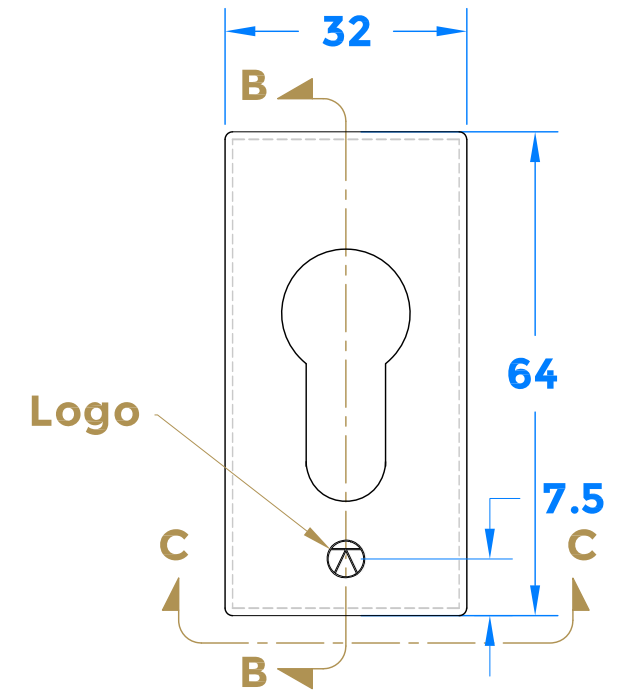
REVISION HISTORY		
Revision	Description	Date
A	Release	21/6/2023

Backplate

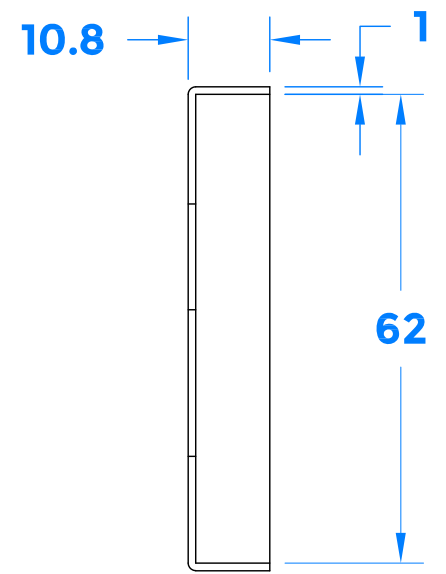


Section A-A

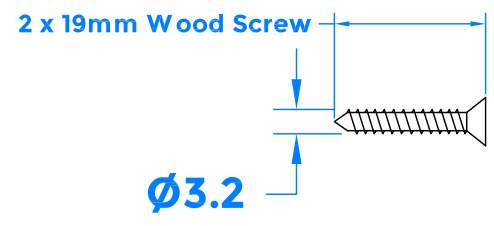
Faceplate Cover



Section C-C



Section B-B





coastal-group.com
Shaping the future

COASTAL

Part Number /Drawing Title:
KM080
Rectangular Slimline Escutcheon

Product Range:
Door furniture

Material: 316 Stainless Steel

Additional Info:

Date Drawn: 21/06/2023

Drawn By: Phillip Walklett

Part Number: KM080

File Name: KM080.dwg

Revision: A

Drawing Scale: 1:1 @ A3

Sheet Number: 1 of 1

THIRD ANGLE PROJECTION

This drawing and specification are the property of Coastal Specialist Ironmongery Ltd. they are issued in strict confidence and shall not be reproduced, copied or used without written permission.
E&OE - All dimensions are specified in mm.