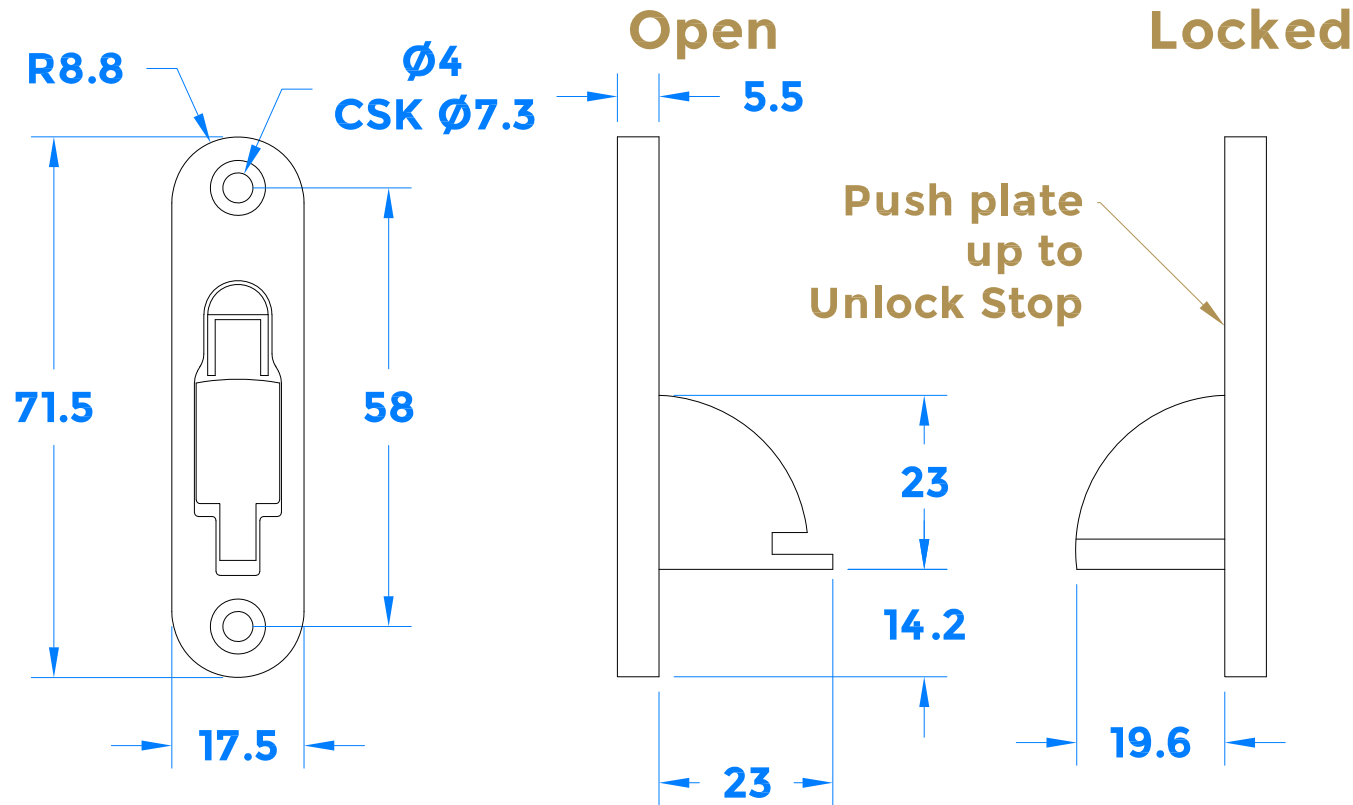
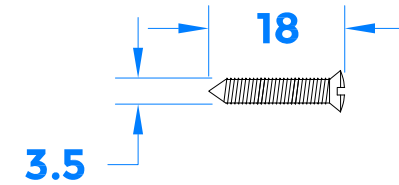

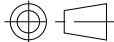


Drawing Revision History		
Revision	Description / Change	Date
A	Release	2/1/2024



2 x Fixing Screws



 COASTAL		coastal-group.com <i>Shaping the future.</i>
Part Number / Drawing Title:		
SW S40R		
Weekes Sash Stop		
Product Range:		
Sliding Sash Hardware		
Material:	Solid Brass	
Additional Info:	Radius End	
Date Drawn:	02/01/2024	
Drawn By:	Phillip Walklett	
Part Number:	SWS40R	
File Name:	SWS40R.dwg	
Revision:	A	
Drawing Scale:	1:1@A4	
Sheet Number:	1 of 1	
THIRD ANGLE PROJECTION		
<small>This drawing and specification are the property of Coastal Specialist Ironmongery Ltd, they are issued in strict confidence and shall not be reproduced, copied or used without written permission. E&OE - All dimensions are specified in mm.</small>		