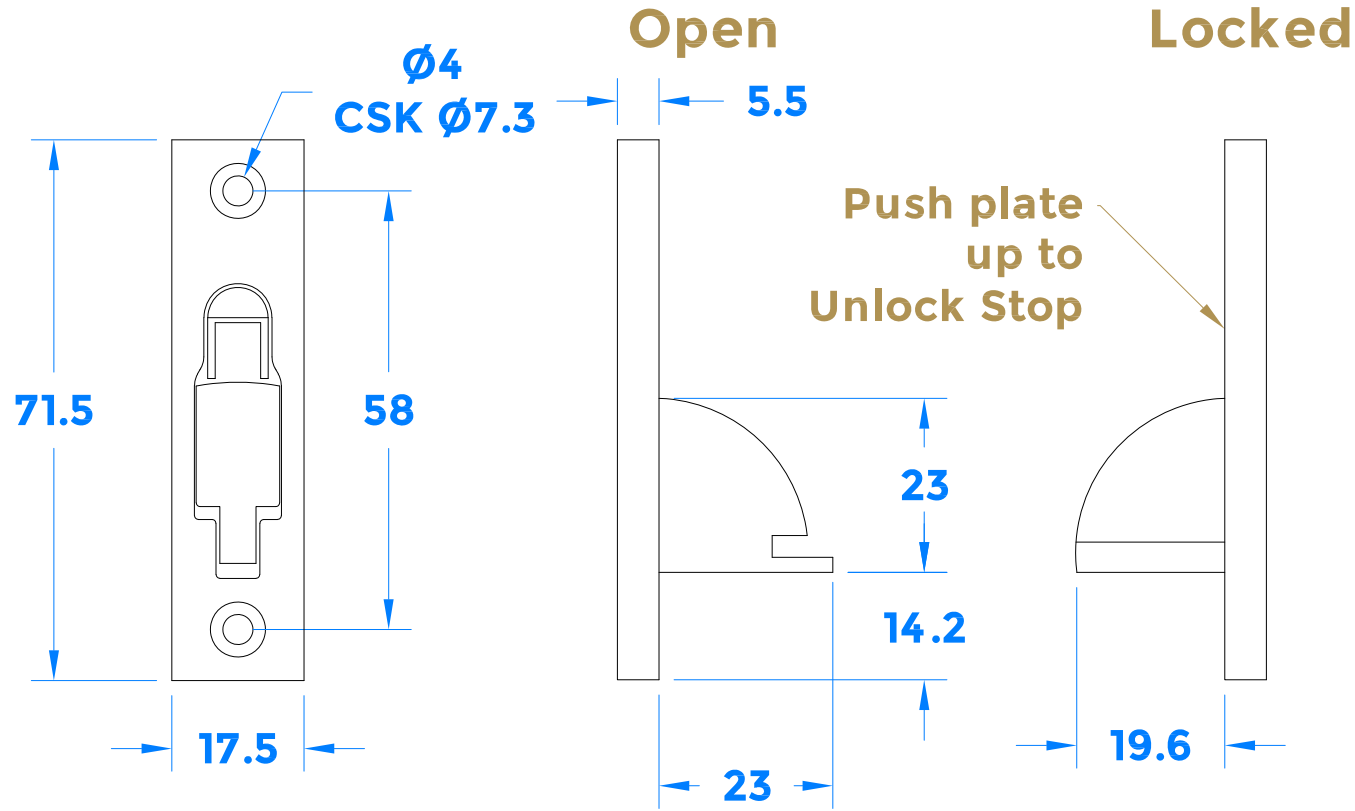
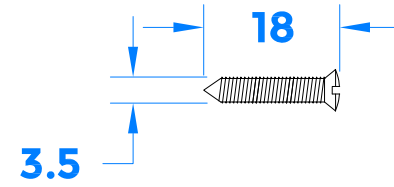


Drawing Revision History		
Revision	Description / Change	Date
A	Release	2/1/2024



**2 x Fixing Screws**





coastal-group.com  
*Shaping the future.*

**COASTAL**

Part Number / Drawing Title:  
**SW S4 0S  
Weekes Sash Stop**

Product Range:  
**Sliding Sash Hardware**

Material: Solid Brass

Additional Info: Square End

Date Drawn: 02/01/2024

Drawn By: Phillip Walklett

Part Number: SWS40S

File Name: SWS40S.dwg

Revision: A

Drawing Scale: 1:1@A4

Sheet Number: 1 of 1

THIRD ANGLE PROJECTION

This drawing and specification are the property of Coastal Specialist Ironmongery Ltd, they are issued in strict confidence and shall not be reproduced, copied or used without written permission.  
E&OE - All dimensions are specified in mm.