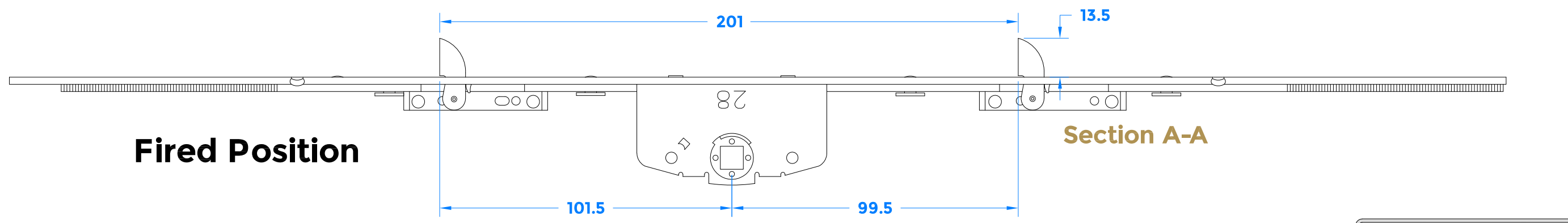
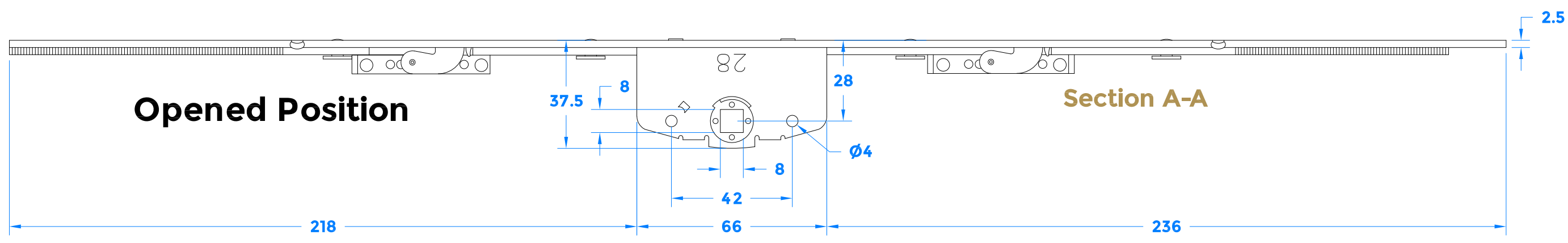
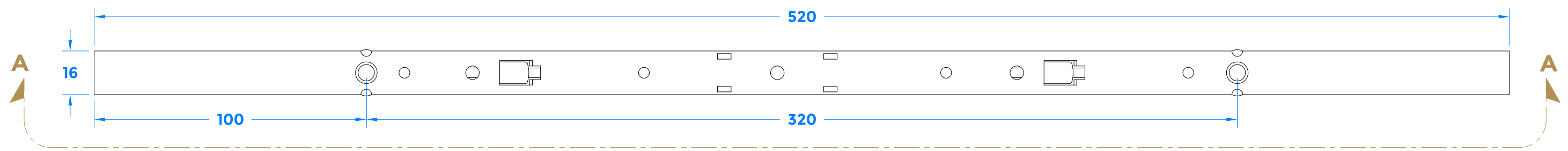



Drawing Revision History		
Revision	Description/Change	Date
A	Release	15/6/2023




coastal-group.com
Shaping the future.

COASTAL

Part Number / Drawing Title:
FE0520-15-SV - Tritus Flush 15mm Ear Type Espag Bolt (Central)

Product Range:
Tritus Casement Window

Material: Silver Passivated

Additional Info: 15mm Ear Version

Date Drawn: 15/06/2023

Drawn By: Phillip Walklett

Part Number: FE0520-15-SV

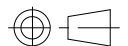
File Name: FE0520-15-SV.dwg

Revision: A

Drawing Scale: Not to Scale

Sheet Number: 1 of 1

THIRD ANGLE PROJECTION

 This drawing and specification are the property of Coastal Specialist Ironmongery Ltd, they are issued in strict confidence and shall not be reproduced, copied or used without written permission. EAOE - All dimensions are specified in mm.