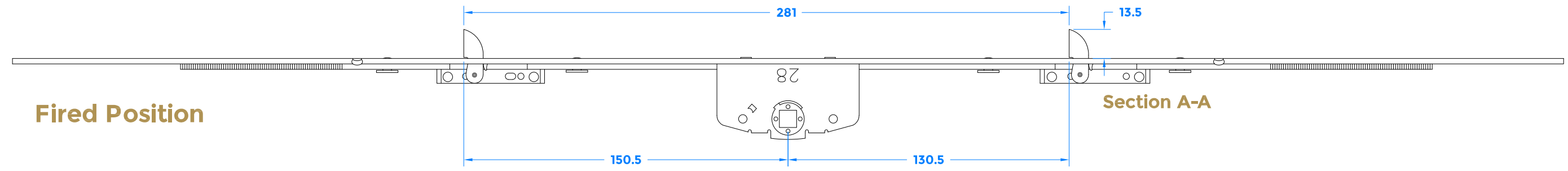
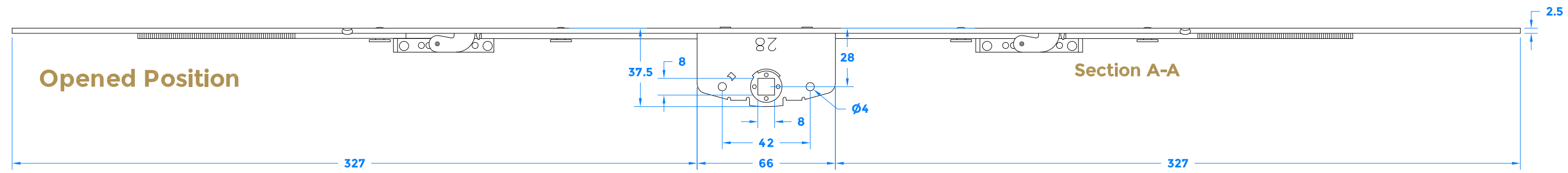
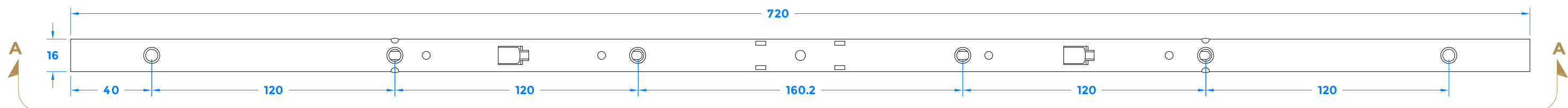



| Drawing Revision History | | |
|--------------------------|--------------------|-----------|
| Revision | Description/Change | Date |
| A | Release | 15/6/2023 |



 **COASTAL** coastal-group.com
Shaping the future.

Part Number / Drawing Title:
FE0720-15-SV - Tritus Flush 15mm Ear Type Espag Bolt (Central)

Product Range:
Tritus Casement Window

Material: Silver Passivated

Additional Info: 15mm Ear Version

Date Drawn: 15/06/2023

Drawn By: Phillip Walklett

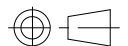
Part Number: FE0720-15-SV

File Name: FE0720-15-SV.dwg

Revision: A

Drawing Scale: Not to Scale

Sheet Number: 1 of 1

THIRD ANGLE PROJECTION 

This drawing and specification are the property of Coastal Specialist Ironmongery Ltd, they are issued in strict confidence and shall not be reproduced, copied or used without written permission.
EAOE - All dimensions are specified in mm.