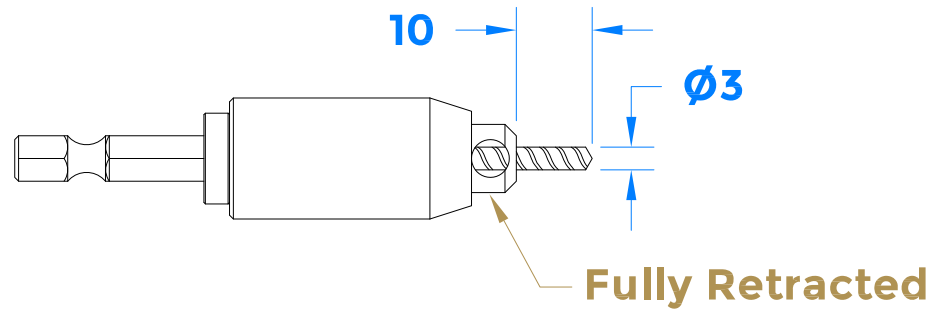
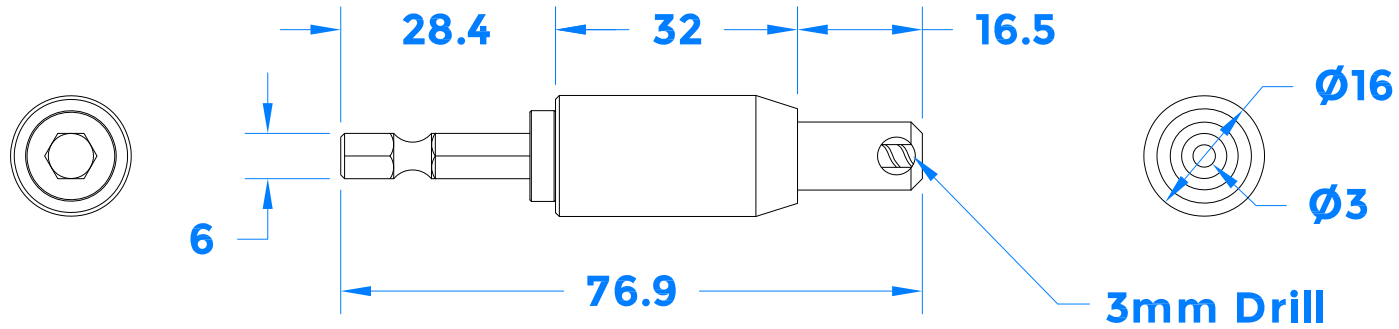



Drawing Revision History		
Revision	Description / Change	Date
A	Release	4 /10/2022



 COASTAL		coastal-group.com <i>Shaping the future.</i>
Part Number / Drawing Title:		
TOOL-H34		
Self Centering Hinge Drill		
Product Range:		
Tooling		
Material:	N/A	
Additional Info:	For use on Hinges	
Date Drawn:	04 /10/2022	
Drawn By:	Phillip Walklett	
Part Number:	TOOL-H34	
File Name:	TOOL-H34.dwg	
Revision:	A	
Drawing Scale:	1:1@A4	
Sheet Number:	1 of 1	
THIRD ANGLE PROJECTION		
<small>This drawing and specification are the property of Coastal Specialist Ironmongery Ltd, they are issued in strict confidence and shall not be reproduced, copied or used without written permission. E&OE - All dimensions are specified in mm.</small>		