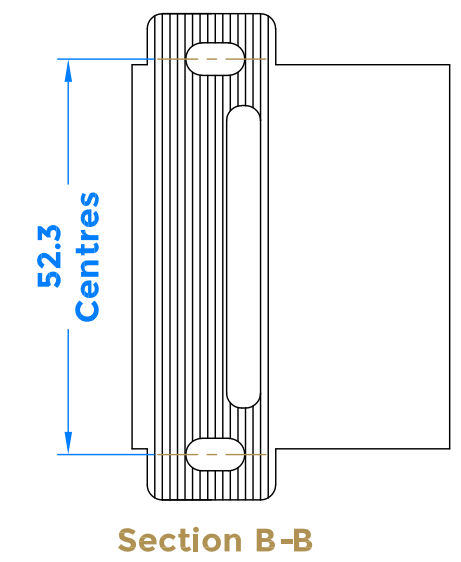
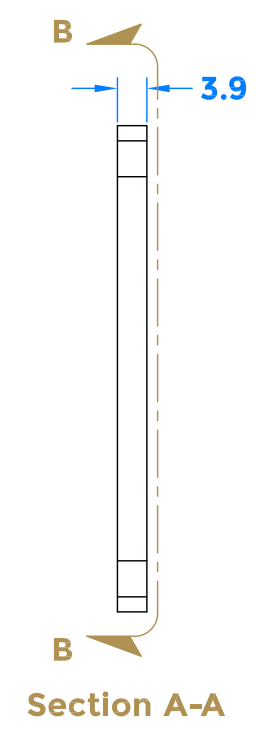
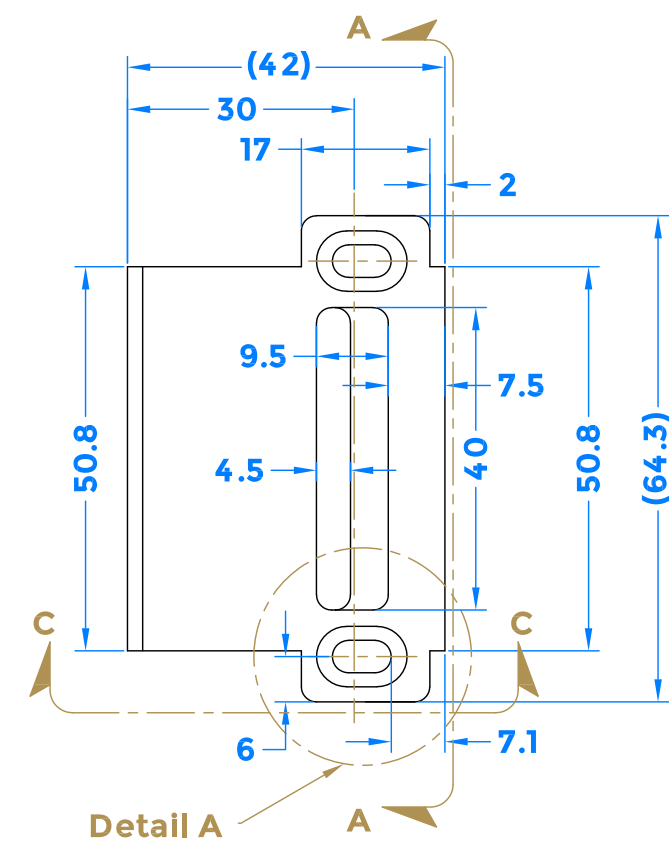
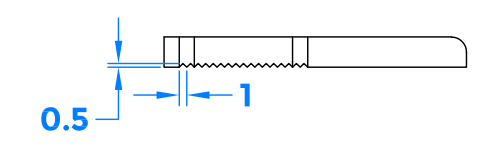
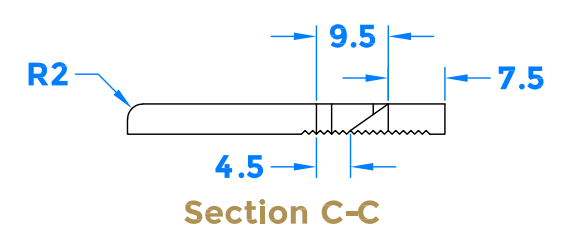
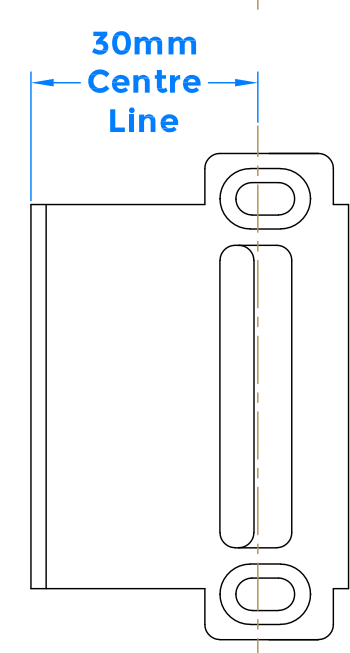
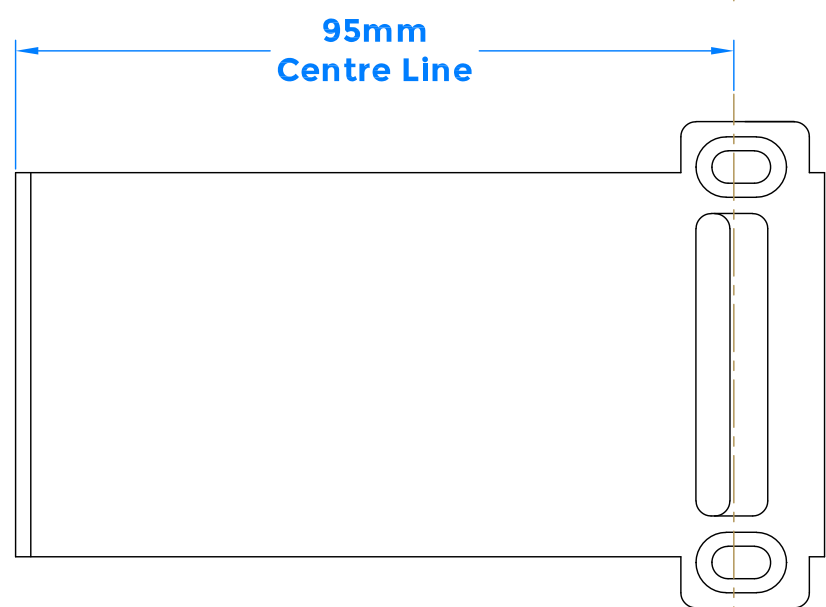
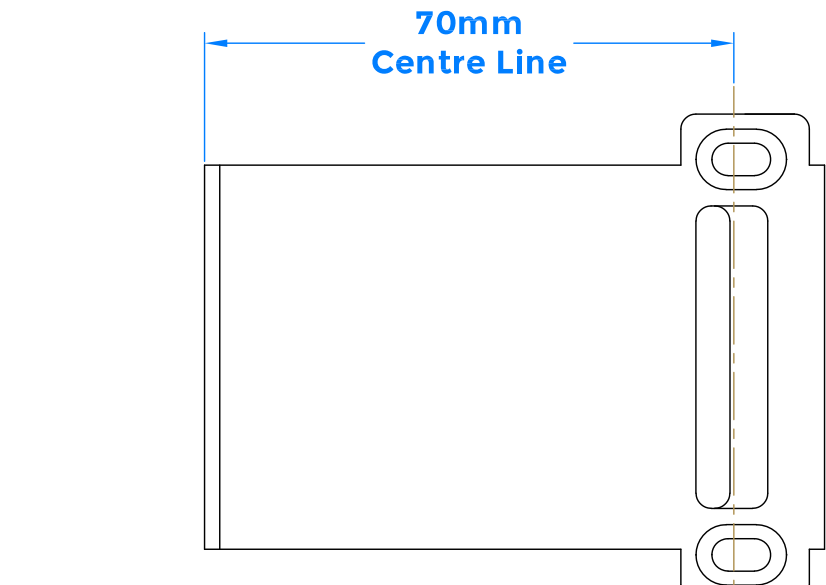
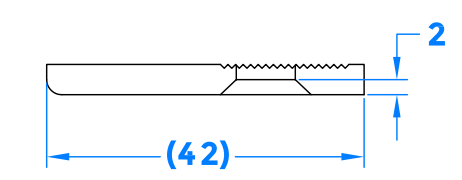
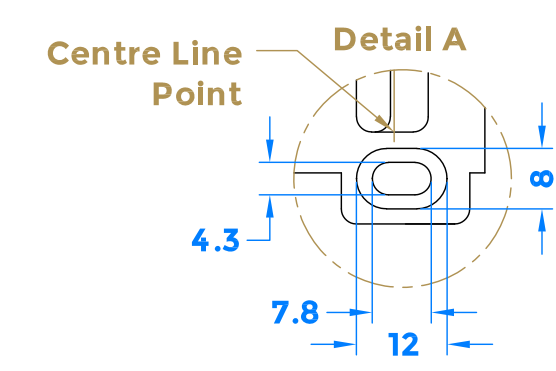


Required in the following variations

Drawing Revision History		
Revision	Description/Change	Date
A1	Release	05/04/23



Part Numbers
MK9-FTB-30-SP-SS
MK9-FTB-70-SP-SS
MK9-FTB-95-SP-SS





coastal-group.com
Shaping the future.

COASTAL

Part Number / Drawing Title:
**MK9-FTB-SP-SS
Adjustable Striker Plate**

Product Range:
Door Lock Keeps

Material: 316 Stainless Steel

Additional Info:

Date Drawn: 05/04/2023

Drawn By: Phillip Walklett

Part Number: See Table

File Name: MK9-FTB-SP.dwg

Revision: A

Drawing Scale: 1:1@A3

Sheet Number: 1 of 1

THIRD ANGLE PROJECTION

This drawing and specification are the property of Coastal Specialist Ironmongery Ltd, they are issued in strict confidence and shall not be reproduced, copied or used without written permission.
EAOE - All dimensions are specified in mm.