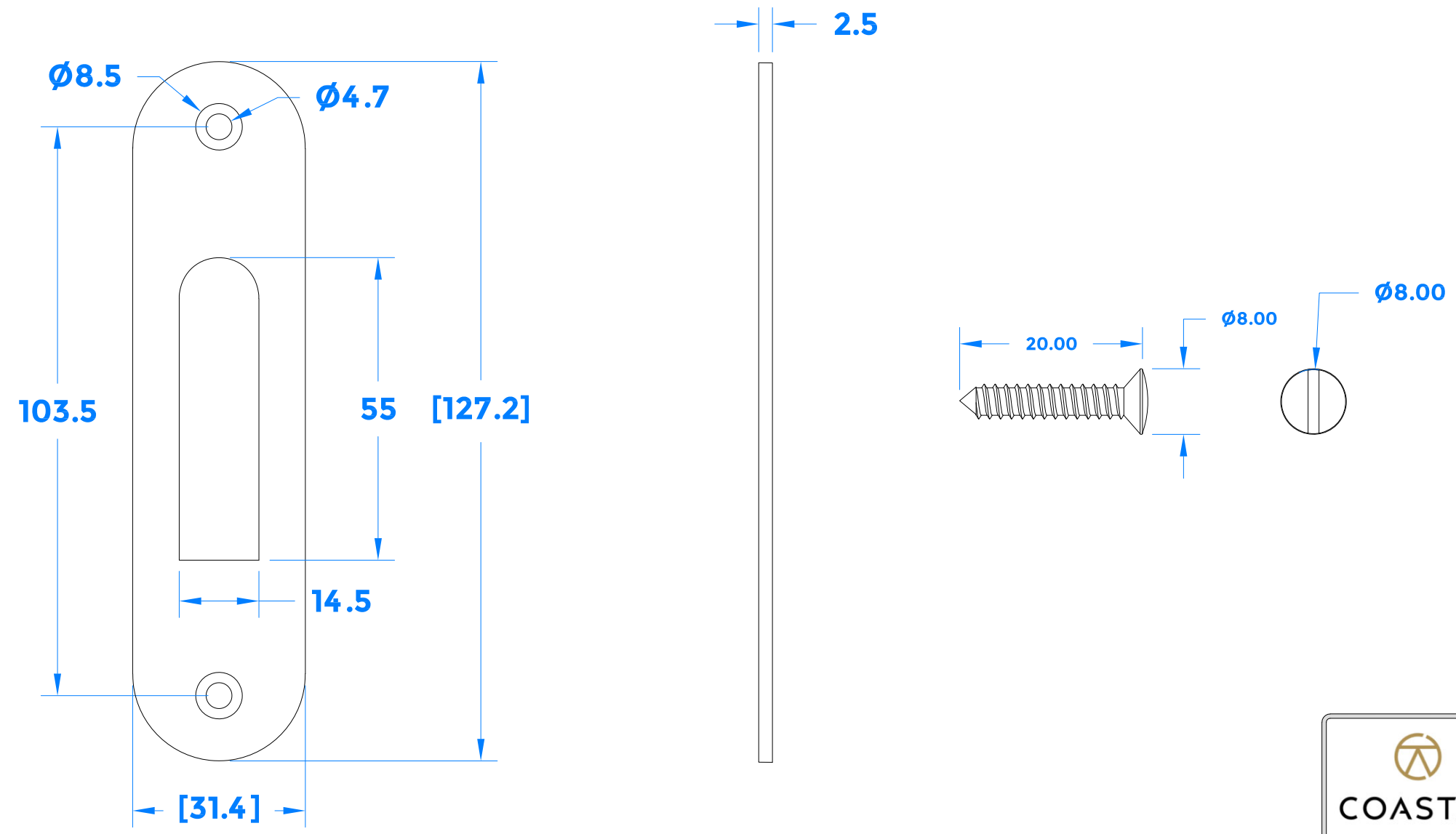


Drawing Revision History		
Revision	Description/Change	Date
X1	Pre-Release / Development	08/07/24

SPS95 Cover Plate with Screws



coastal-group.com
Shaping the future.

COASTAL

Part Number / Drawing Title:
SPR95-P
Sash Pulley Cover Plate

Product Range:
Sliding Sash Hardware

Material: Solid Brass

Additional Info: For use with SPR95 Pulley

Date Drawn: 08/07/2024

Drawn By: Philip Walklett

Part Number: SPR95-P

File Name: SPR95-P.dwg

Revision: X1

Drawing Scale: 1:1@ A3

Sheet Number: 1 of 1

THIRD ANGLE PROJECTION

This drawing and specification are the property of Coastal Specialist Ironmongery Ltd, they are issued in strict confidence and shall not be reproduced, copied or used without written permission.
EAOE - All dimensions are specified in mm.