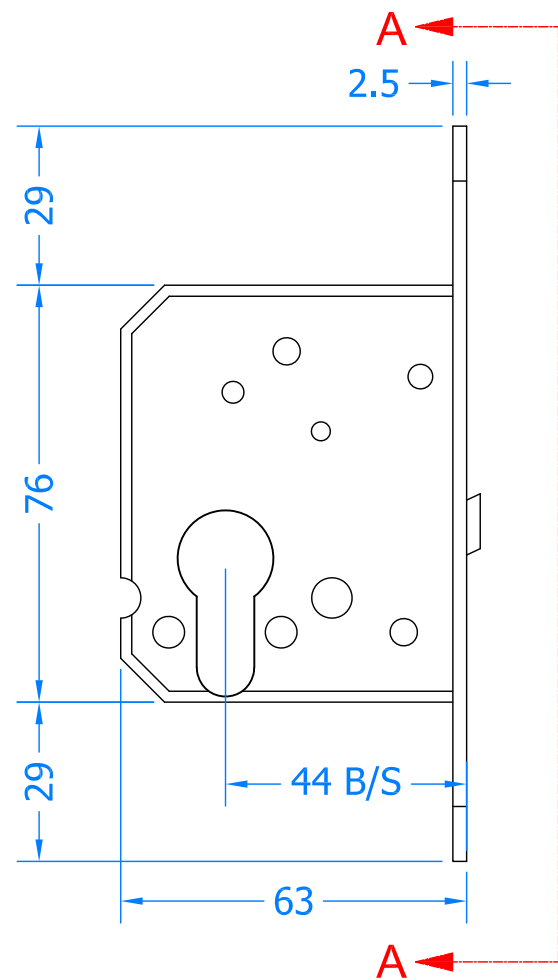
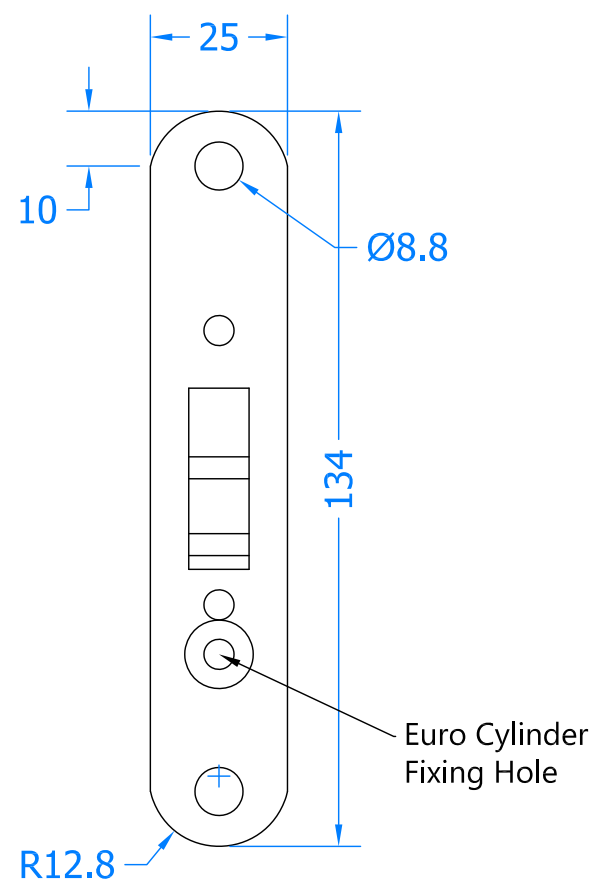


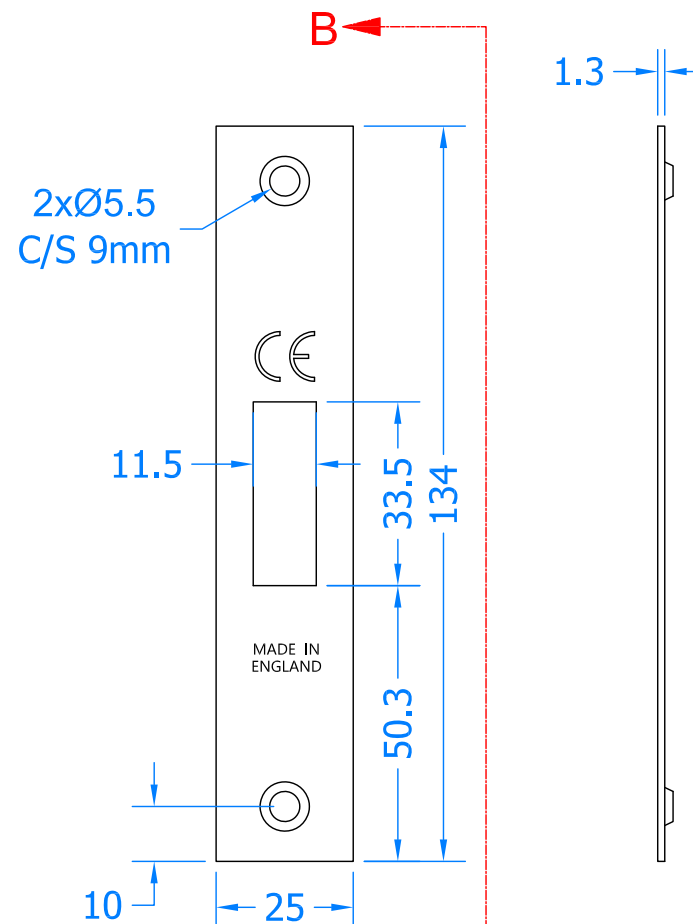
Revision History				
Revision	Description	DRFT	CHK	Date
A	Released	PW	--	31/10/18



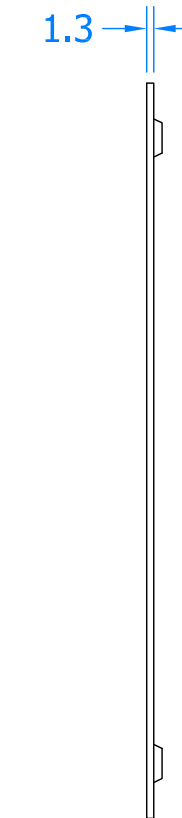
Deadlock



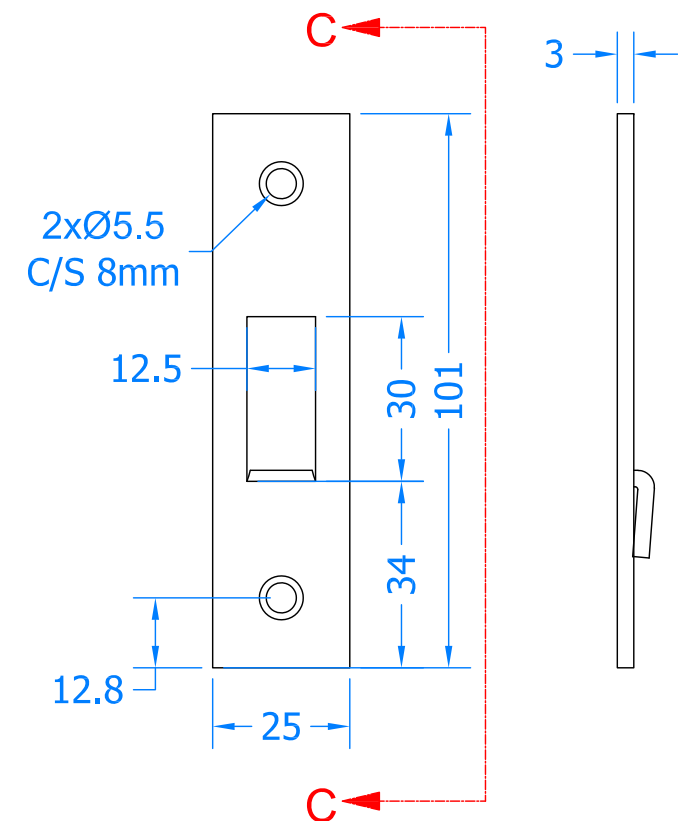
Section A-A



Forend

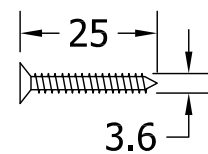


Section B-B



Striker plate

Section C-C



Fixing Screws x 4

COASTAL GROUP
Innovating & upgrading the style, performance & longevity of external doors & windows globally

Global House, Bojea Industrial Estate, Trethowel, St Austell, PL25 5RJ
 telephone | 01726 871724 - fax | 01726 871731
 email | sales@coastal-group.com - web | www.coastal-group.com

Drawing Reference:
Coastal Group
 Drawing Title:
CL180-63-SB
63mm Euro Profile Sliding Door Lock

Product Range:
Sliding Doors

Additional Info:

Date Drawn: 31/10/2018
 Drawn By: Phil Walklett
 Part Number: CL180-63
 File Name: CG-CL180-63.dwg
 Revision: A
 Drawing Scale: No Scale
 Sheet Number: 1 of 1

THIRD ANGLE PROJECTION

This drawing and specification are the property of Coastal Group, they are issued in strict confidence and shall not be reproduced, copied or used without written permission.