

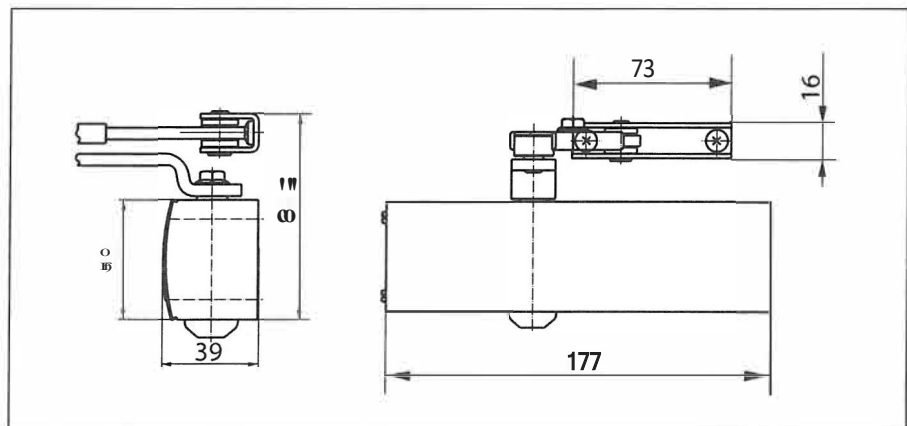
**GEZE TS 1500**

**Link arm door closer for single-leaf doors with a leaf width of up to 1100 mm**

TS 1500 overhead door closer is suitable for single-leaf doors with a leaf width of up to 1100 mm. The closing speed and hydraulic latching action can be adjusted. There are two different closing force settings, which can be selected simply by turning the bearing block for the link arm: "weak" closing force (size 3 acc. to EN 1154) for door leaf widths of up to 950 mm and "strong" closing force (size 4 acc. to EN 1154) for door leaf widths of up to 1100 mm. The door closer is available with an optional mounting plate and is suitable for left and right single-action doors without the need for conversion.

**Special version:**

- GEZE TS 1500 with hold-open linkage with adjustable hold-open angle of between 70° and 150°



**Area of application**

- For internal doors
- For single-action doors, leaf width of up to 1100 mm
- For right and left hung doors without the need for conversion
- Standard installation on door leaf hinge side; transom installation on opposite hinge side also possible

**Closer technical data**

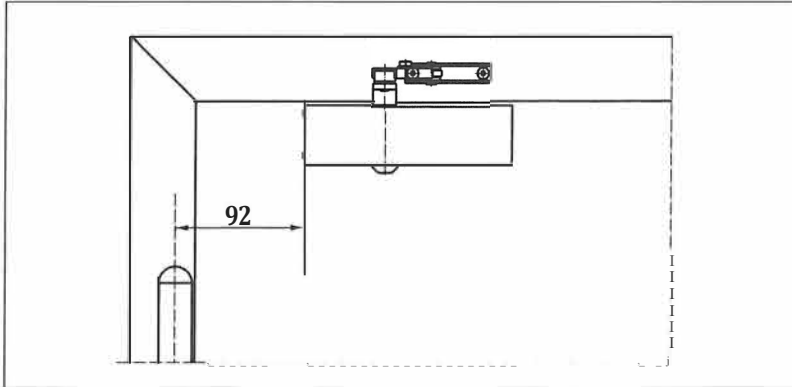
<b>Product features</b>	<b>GEZE TS 1500 closer</b>
Closing force in accordance with EN 1154	3/4
Leaf width recommended up to	1100mm
Same version for DIN left and DIN right	•
Product tested in accordance with	Door closer tested in accordance with EN 1154
Length	177mm
Installation depth	39mm
Height	50mm
<b>Functions</b>	
Adjustable closing force	via installation
Adjustable closing speed	•
Adjustable latching action	via valve
Integrated back check	o
Closing force adjustment position	Installation position

• = yes

o = no

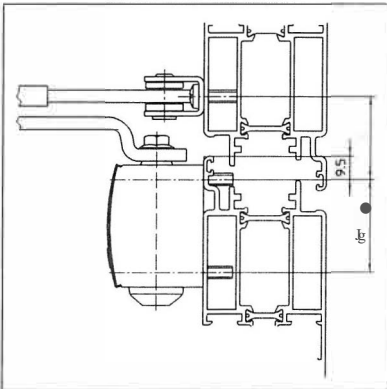
Door leaf installation/hinge side TS 1500

View

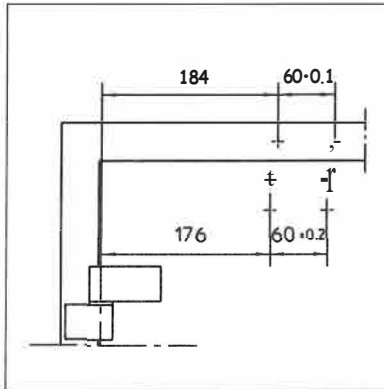


Installation example for GEZE TS 1500

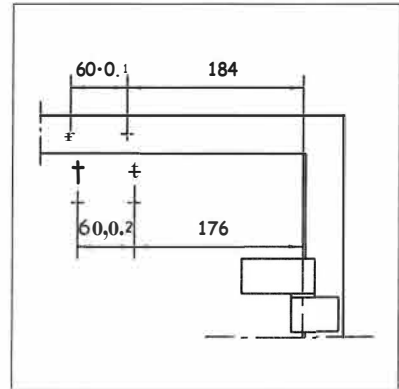
Direct installation



Cross section= direct installation

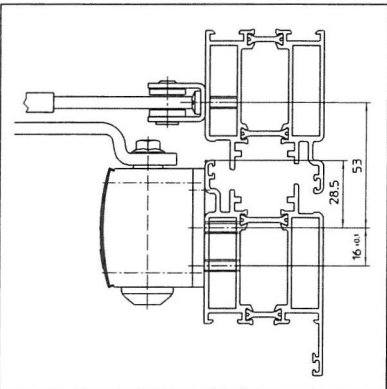


Fitting dimensions for left-hand door

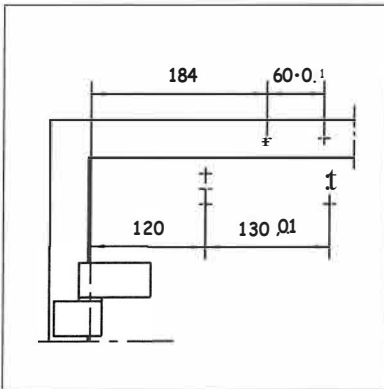


Fitting dimensions for right-hand door

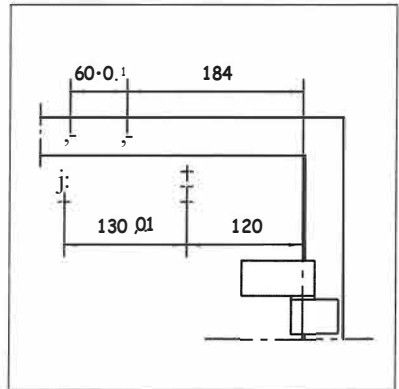
Installation with mounting plate



Cross section= installation with mounting plate



Fitting dimensions for left-hand door



Fitting dimensions for right-hand door