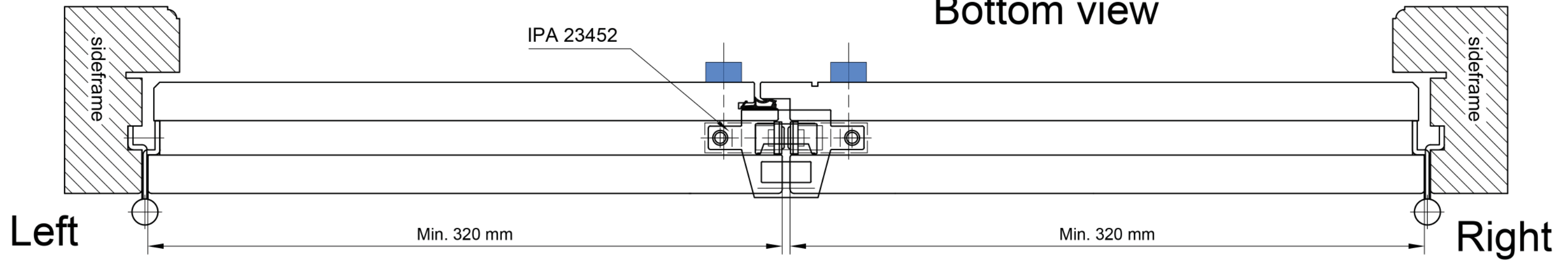
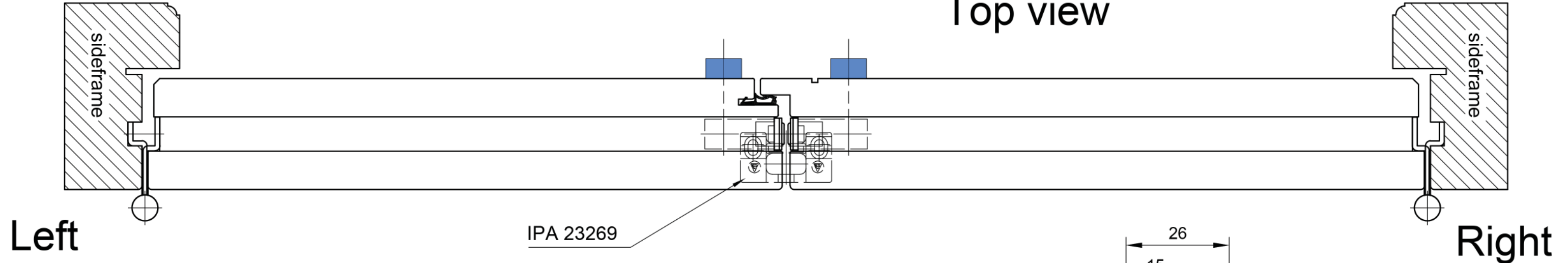


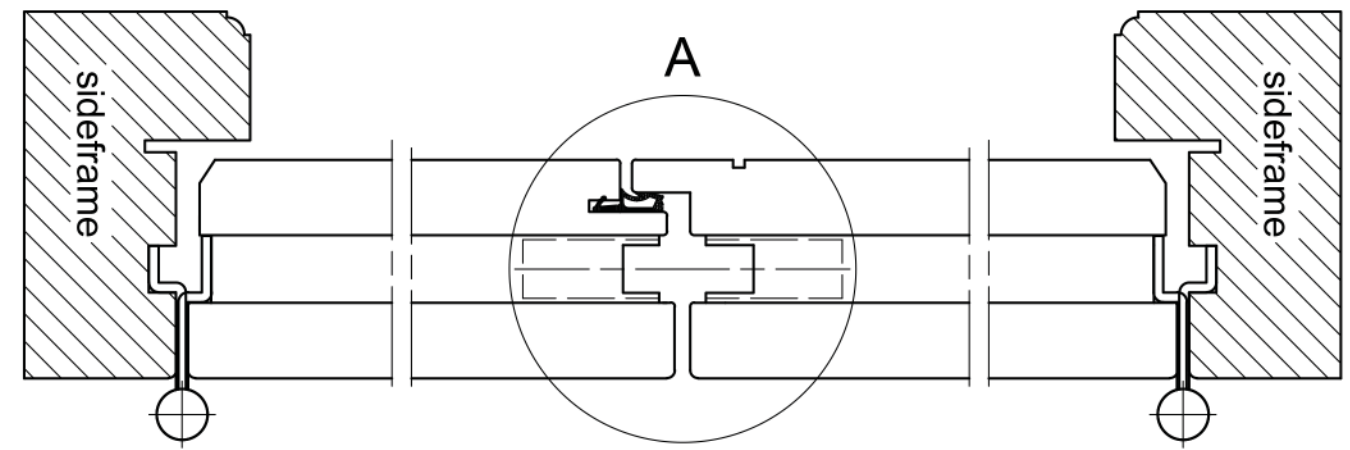
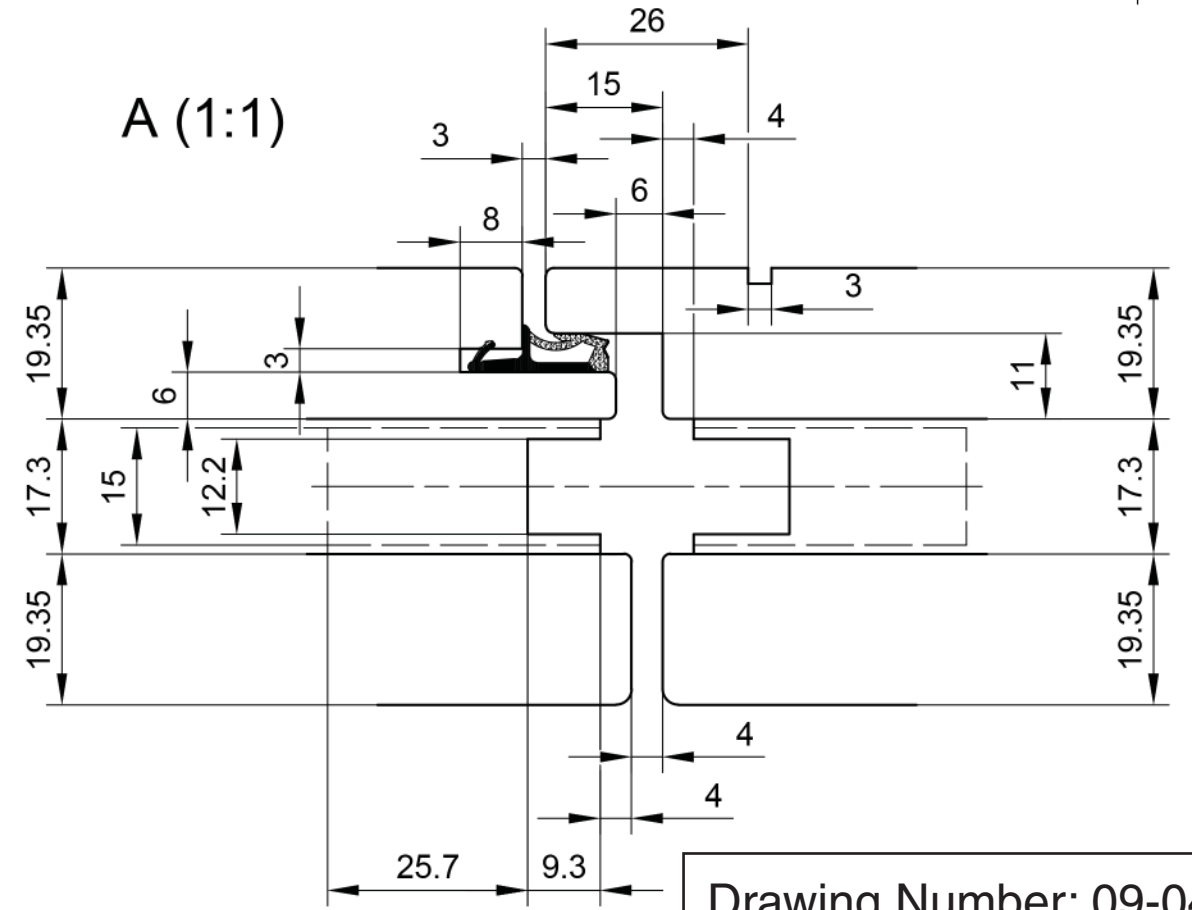
Bottom view



Top view



A (1:1)



Drawing Number: 09-046-06-C
Date issued: 20.03.2015