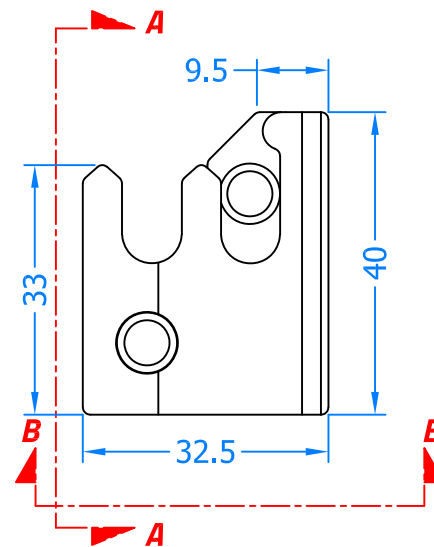
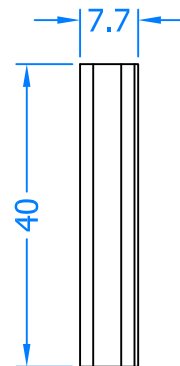
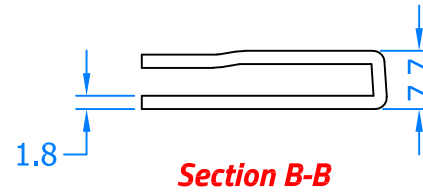


This drawing and specification are the property of the Coastal Specialist Ironmongery Ltd.
They are issued in strict confidence and shall not be reproduced, copied or used without written permission.

REVISION HISTORY

Revision	Description	Drawn	Date
A	Release	PW	7/8/18



 *Innovating & Upgrading the Style,
Performance & Longevity of
External Doors & Windows Globally.*

Coastal Specialist Ironmongery Ltd.

Global House, Bojea Industrial Estate, Trethowel, St Austell, PL25 5RJ
t | 01726 871725 - f | 01726 871731 - e | sales@coastal-group.com
w | www.coastal-group.com

Drawing Title:

**FCK450
Top Hung Mushroom Keep**

Product Range:

Left Hand

Additional Info: **Mushroom Type Bolt Keep Plates**

Date Drawn: 07/08/2018

Drawn By: Phil Walklett

Part Number: FCK450-SV

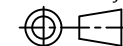
File Name: CG-FCK450-SV.dwg

Revision: A

Drawing Scale: 1:1@A4

Sheet Number: 1 of 1

THIRD ANGLE PROJECTION



*This drawing and specification are
the property of Coastal, they are
issued in strict confidence and
shall not be reproduced, copied or
used without written permission.*