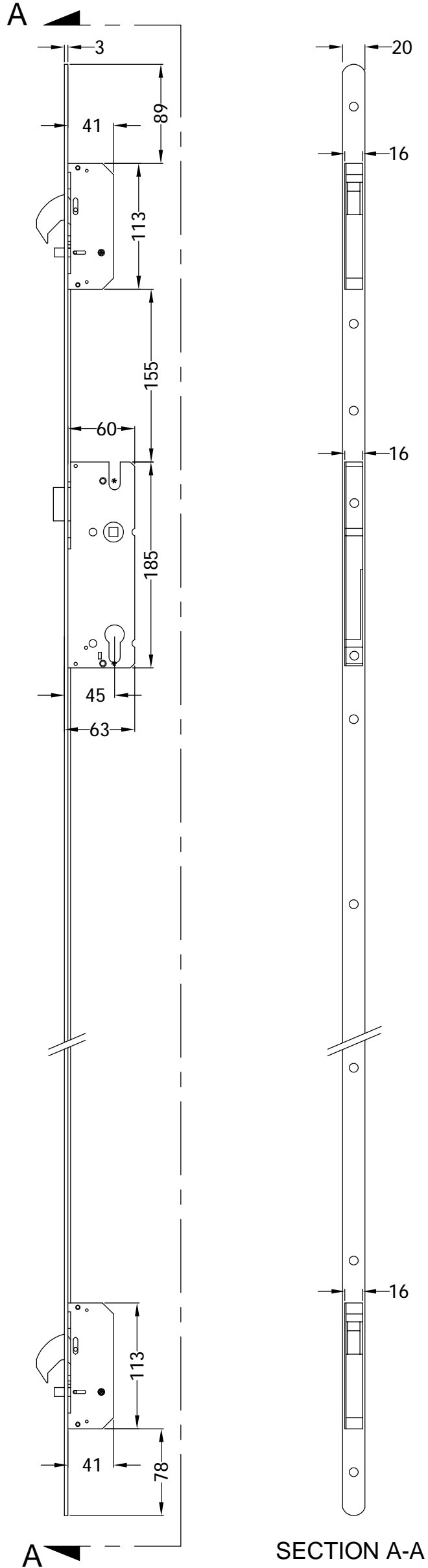
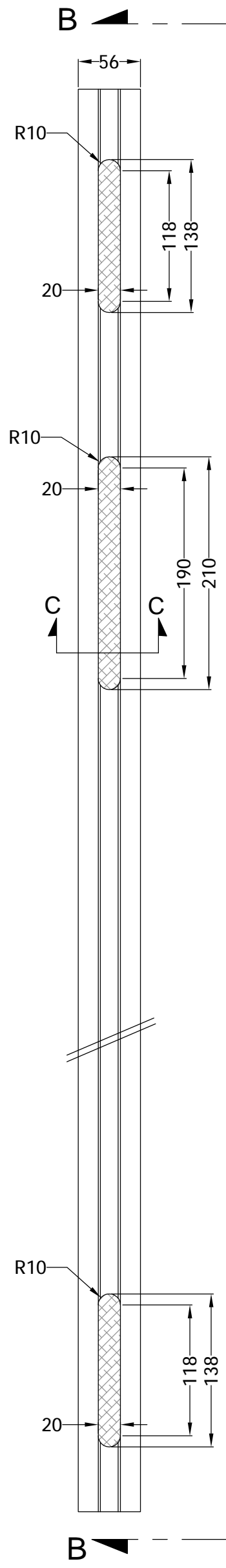


ML80 | 45mm B/S

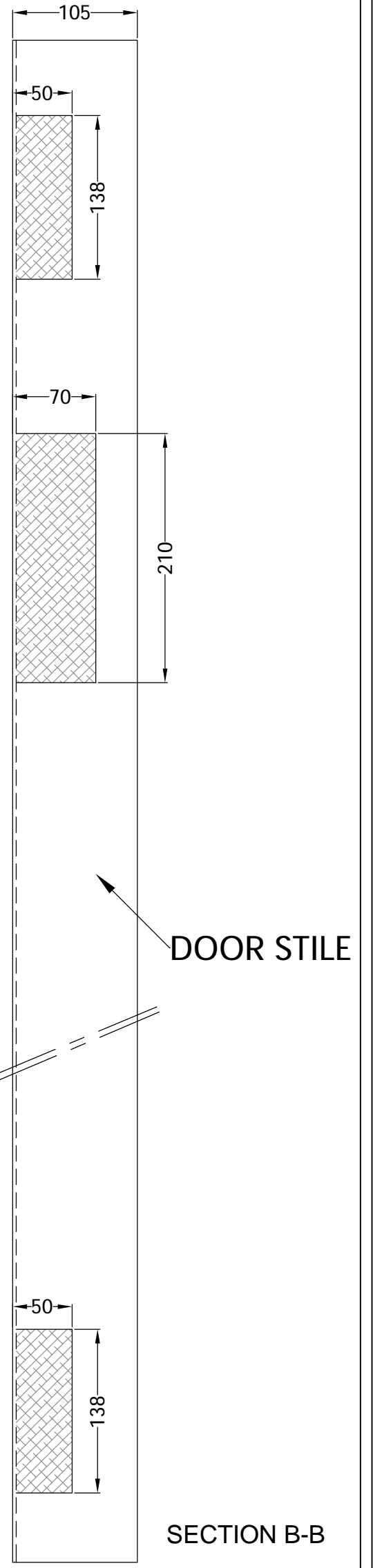


LOCK DETAIL



MACHINING DETAIL

Revision History			
Revision	Description	Drawn By	Approved By



Global House Bojea Industrial Estate Trethowel, St Austell Cornwall, PL25 5RJ t 01726 871025 f 01726 871731 e sales@coastal-group.com w www.coastal-group.com	
Customer Reference:	
COASTAL GROUP	
Drawing Title: ML80 LOCK MACHINING DETAILS HERITAGE AUTO MULTIPOINT LOCK	
Product Range / Project Reference 45mm BACKSET	
Other Information:	
Date Drawn:	10/06/2016
Drawn By:	PHIL WALKLETT
Drawing Number:	Revision:
CG-ML80_45LD.dwg	A
THIRD ANGLE PROJECTION	This drawing and specification are the property of Coastal Group, they are issued in strict confidence and shall not be reproduced, copied or used without written permission.
Scale: NONE	Sheet: 1 of 1