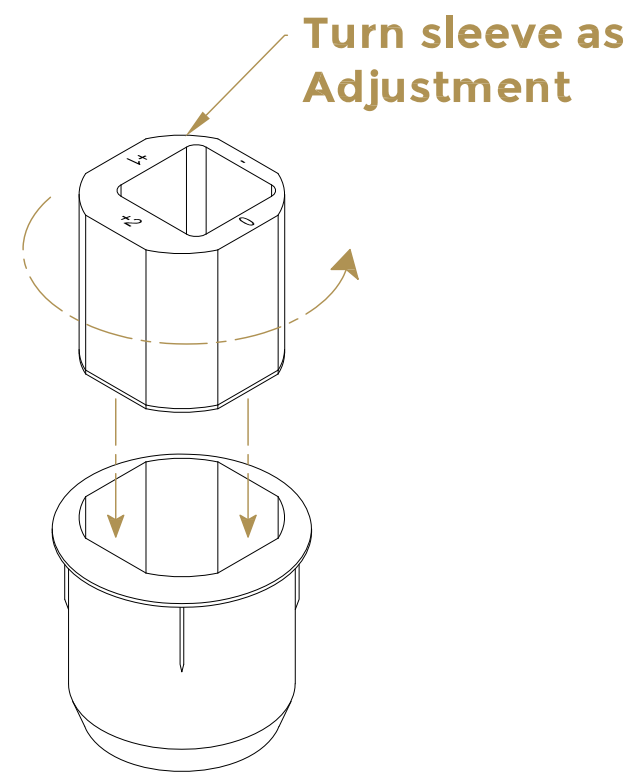
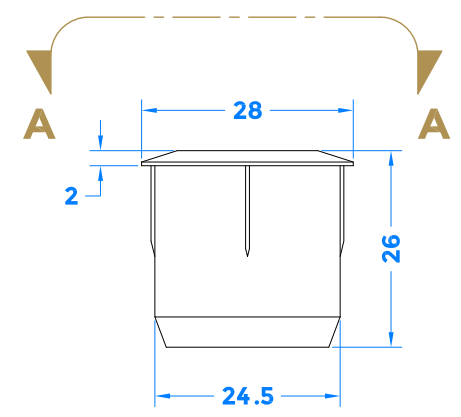


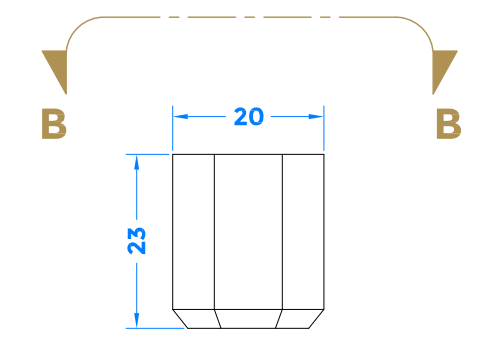
Drawing Revision History		
Revision	Description/Change	Date
A	Release	7/12/2021



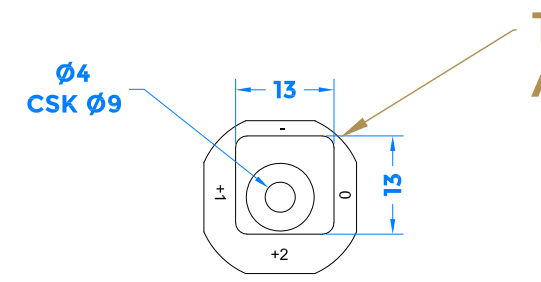
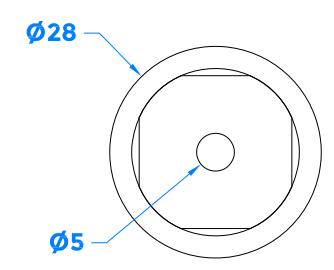
Isometric View



Section A-A



Adjustable Inner Sleeve
Section B-B



coastal-group.com
Shaping the future.

COASTAL

Part Number / Drawing Title:
MS28
Thimble Shootbolt Keep

Product Range:
Multipoint Lock Keeps

Material: Silver Passivated / Plastic

Additional Info: Universal Handing

Date Drawn: 07/12/2021

Drawn By: Philip Walklett

Part Number: MS28

File Name: MS28.dwg

Revision: A

Drawing Scale: 1:1 @ A3

Sheet Number: 1 of 1

THIRD ANGLE PROJECTION

This drawing and specification are the property of Coastal Specialist Ironmongery Ltd, they are issued in strict confidence and shall not be reproduced, copied or used without written permission.
EAOE - All dimensions are specified in mm.