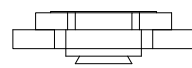
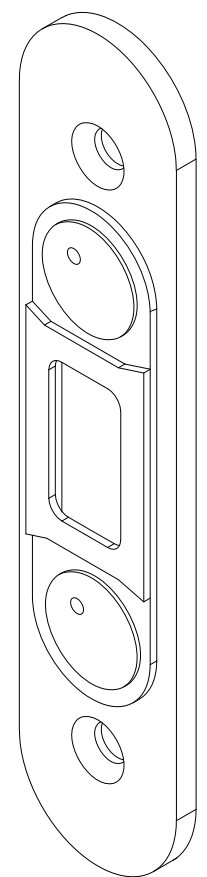


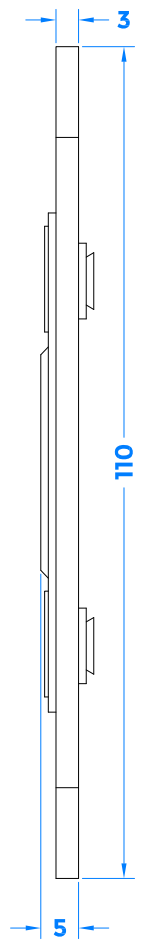
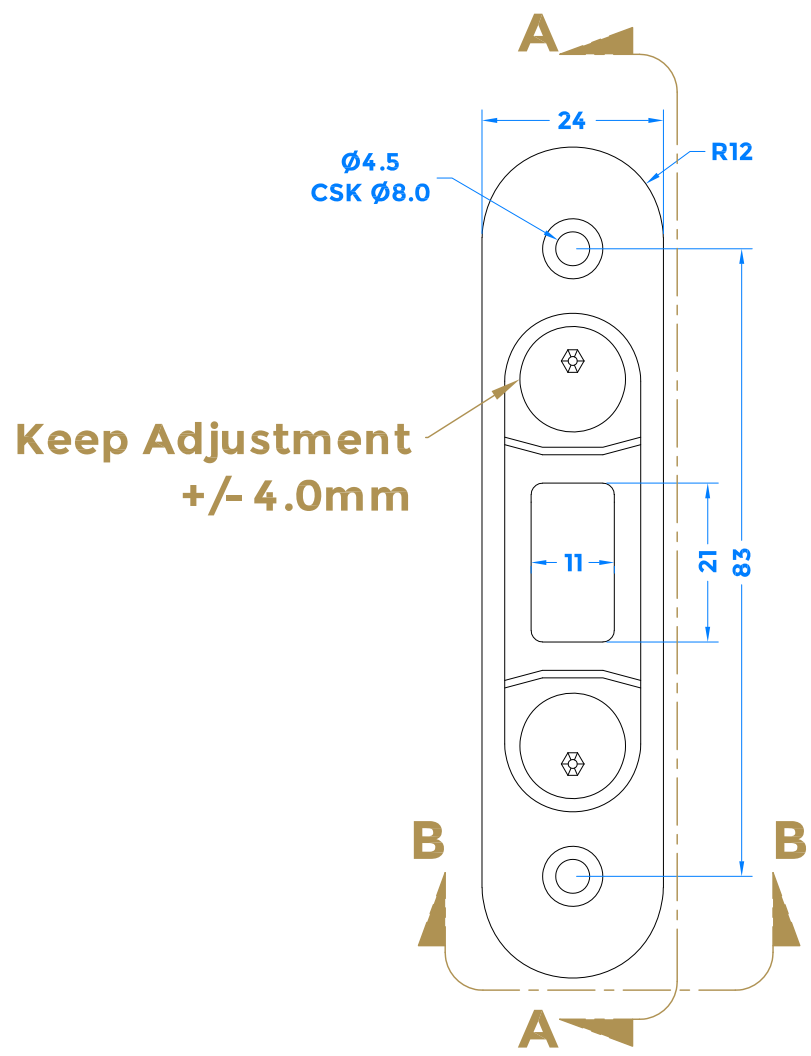
Drawing Revision History		
Revision	Description/Change	Date
A	Release	7/12/2021




Section B-B



Isometric View



Section A-A



coastal-group.com
Shaping the future.

COASTAL

Part Number / Drawing Title:
**MS24
Flat Plate Shootbolt Keep**

Product Range:
Multipoint Lock Keeps

Material: Silver Passivated

Additional Info: Universal Handing

Date Drawn: 07/12/2021

Drawn By: Phillip Walklett

Part Number: MS24

File Name: MS24.dwg

Revision: A

Drawing Scale: 1:1 @ A3

Sheet Number: 1 of 1

THIRD ANGLE PROJECTION

This drawing and specification are the property of Coastal Specialist Ironmongery Ltd, they are issued in strict confidence and shall not be reproduced, copied or used without written permission.
EAOE - All dimensions are specified in mm.