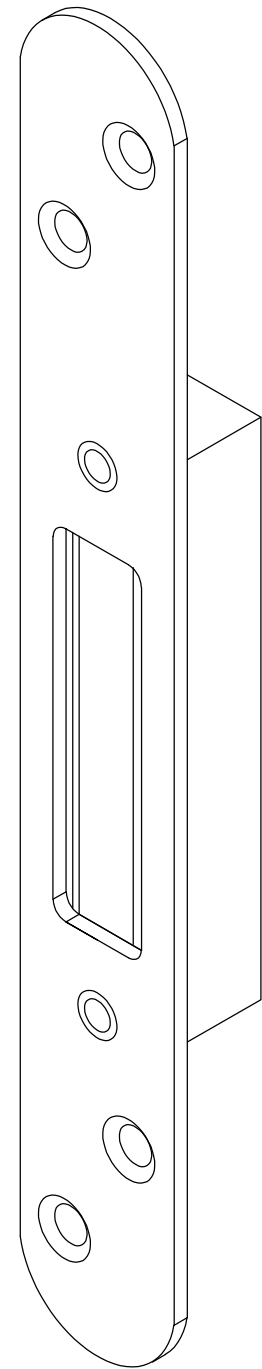
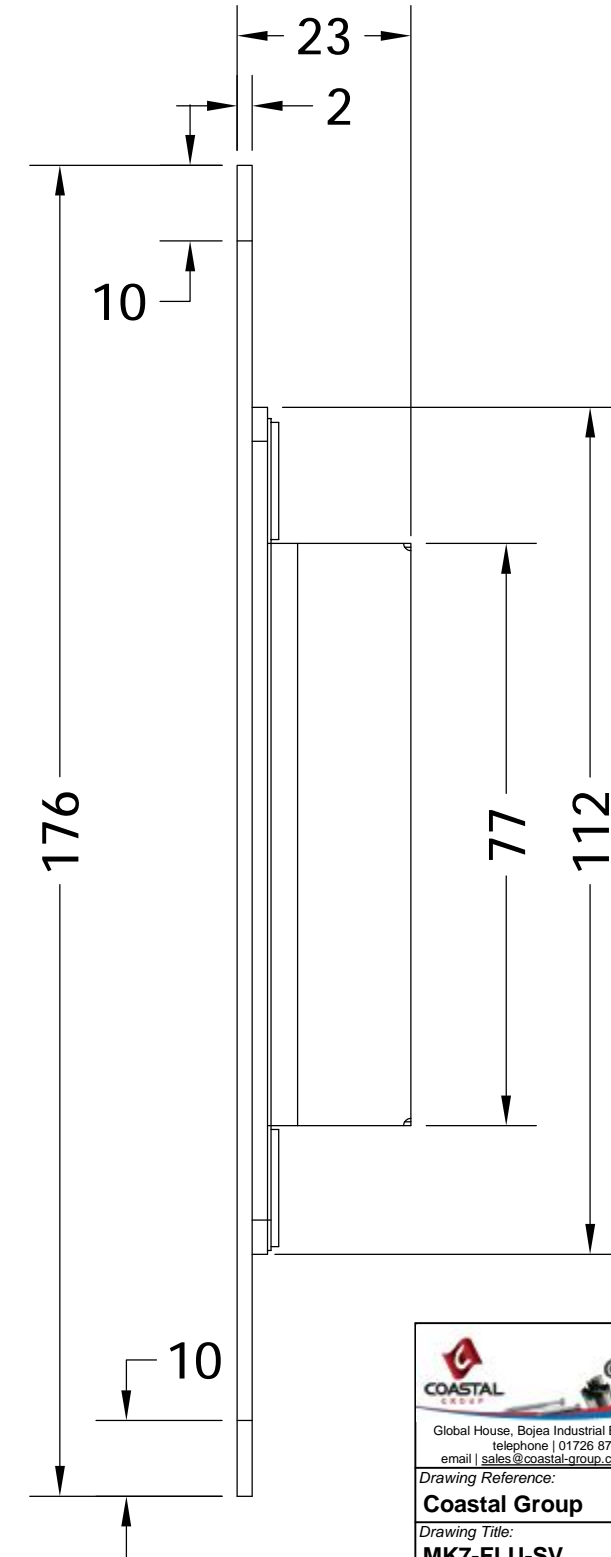
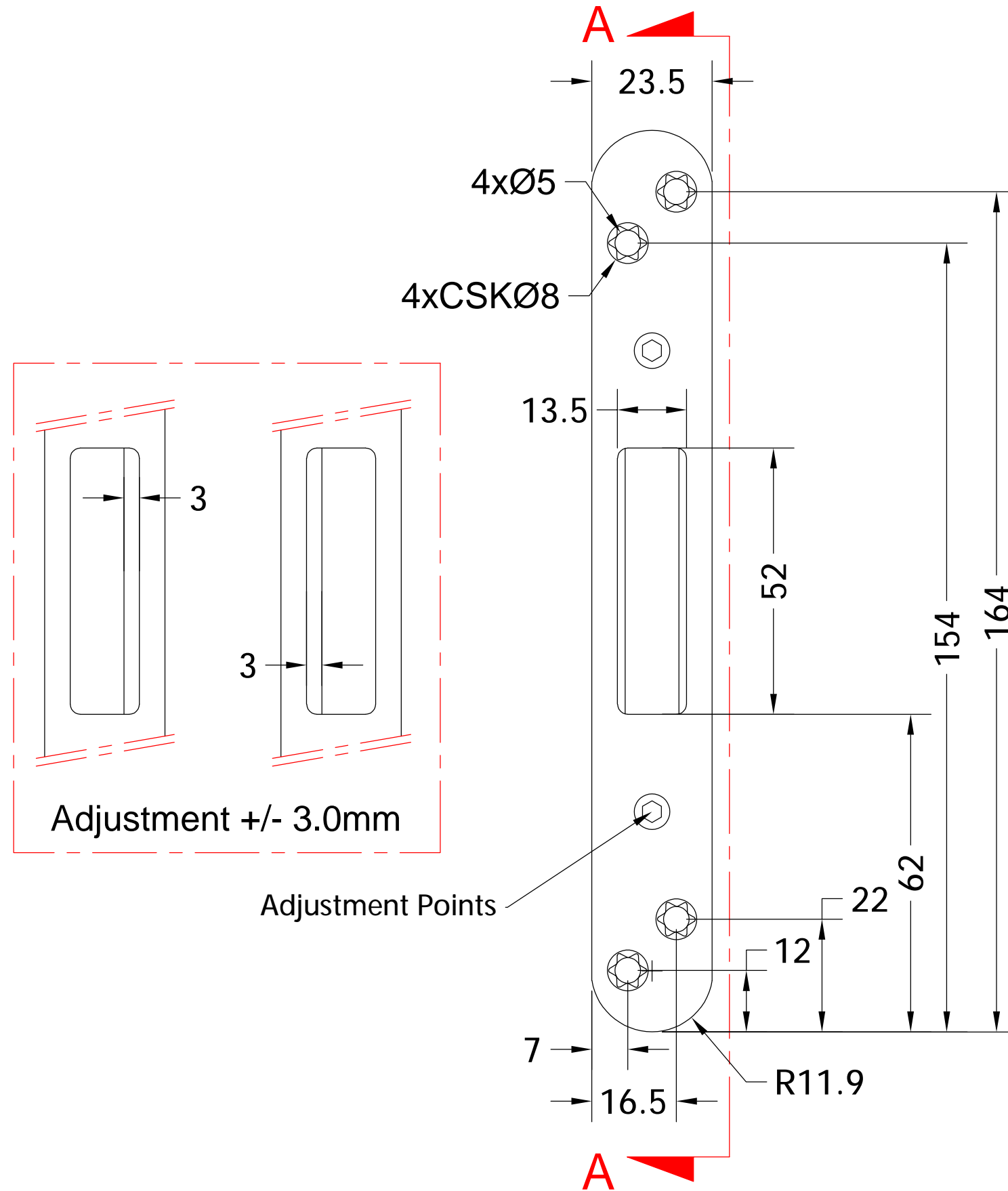


Revision History			
Revision	Description	Drawn By	Date
A	Released	PW	4/8/17



Isometric View



Section A-A

**COASTAL GROUP**  
 Global House, Bojea Industrial Estate, Trethowel, St Austell, PL25 5RJ  
 telephone | 01726 871724 - fax | 01726 871731  
 email | sales@coastal-group.com - web | www.coastal-group.com

Drawing Reference:  
**Coastal Group**  
 Drawing Title: **MK7-FLU-SV Single Keep**  
 Product Range: **Adjustable Hook/Deadbolt Keeps**  
 Additional Info: Universal Handing

Date Drawn: 04/08/2017  
 Drawn By: Phil Walklett  
 Part Number: MK7-FLU-SV  
 File Name: CG-MK7-FLU-SV.dwg  
 Revision: A  
 Drawing Scale: NONE  
 Sheet Number: 1 of 1

THIRD ANGLE PROJECTION

This drawing and specification are the property of Coastal Group, they are issued in strict confidence and shall not be reproduced, copied or used without written permission.