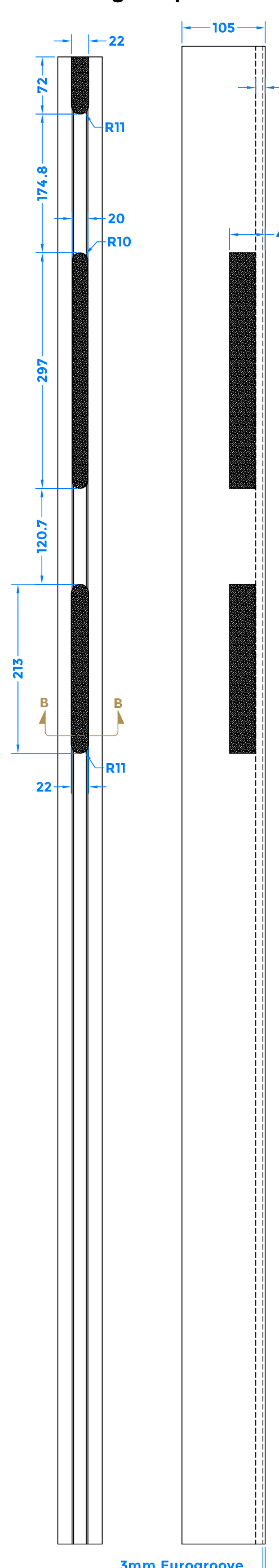
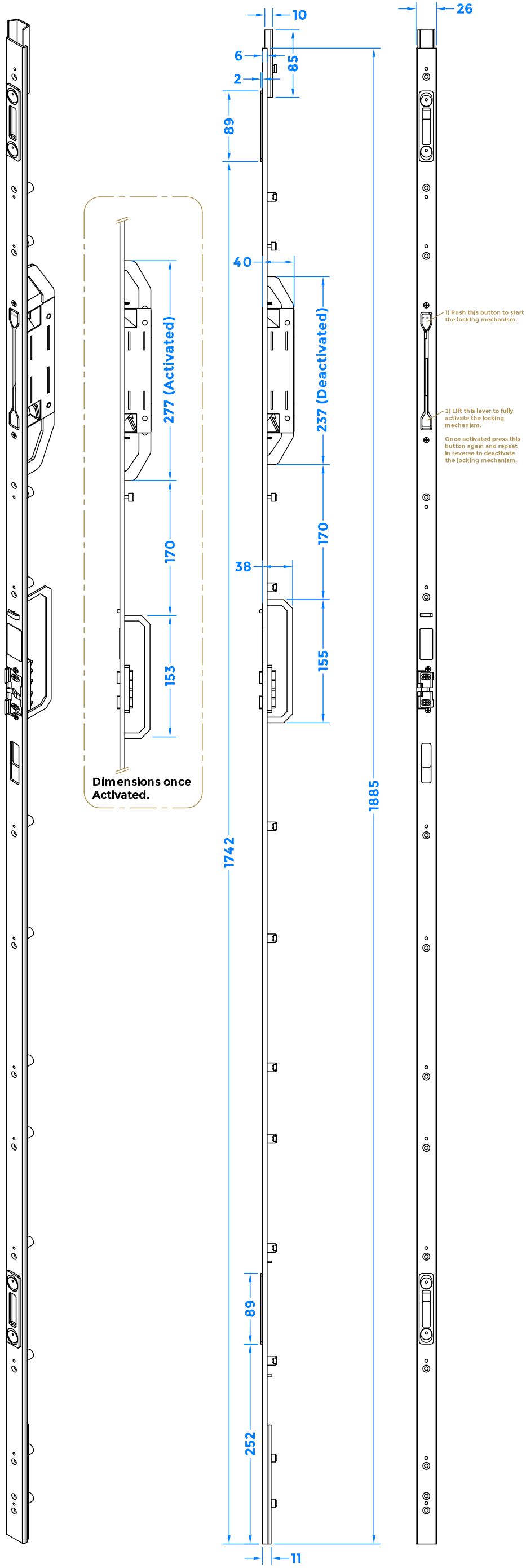


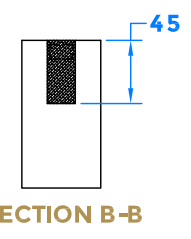
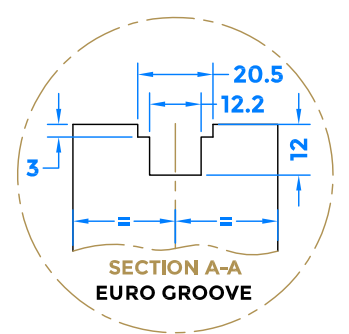
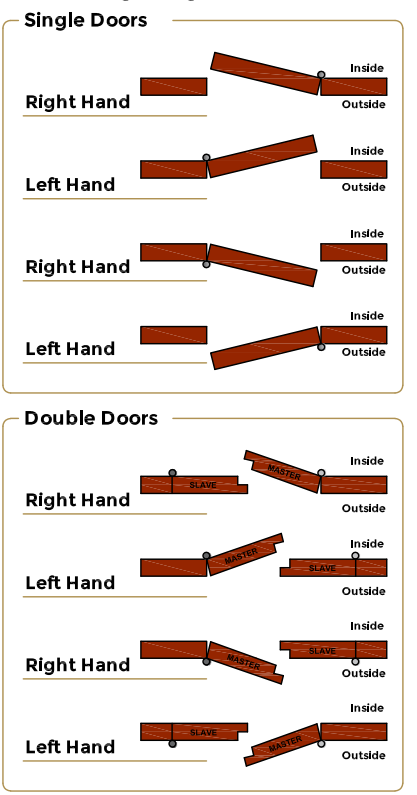
Left Hand Shown, Right Hand Opposite

Drawing Revision History		
Revision	Description/Change	Date
A	Release	23/11/2021

Routing Preparation



Handing Diagrams



coastal-group.com
 Shaping the future
COASTAL

Part Number / Drawing Title:
ML30-2
Solo Slave Door Lock (SIZE 2)

Product Range:
Door Locks

Material: Silver Passivated

Additional Info: Left Hand Shown, Right Hand Opposite

Date Drawn: 23/11/2021

Drawn By: Philip Walklett

Part Number: ML30-2

File Name: ML30-2.dwg

Revision: A

Drawing Scale: Not to Scale

Sheet Number: 1 of 1

THIRD ANGLE PROJECTION

This drawing and specification are the property of Coastal Specialist Ironmongery Ltd. they are issued in strict confidence and shall not be reproduced, copied or used without written permission.
 E&OE - All dimensions are specified in mm.