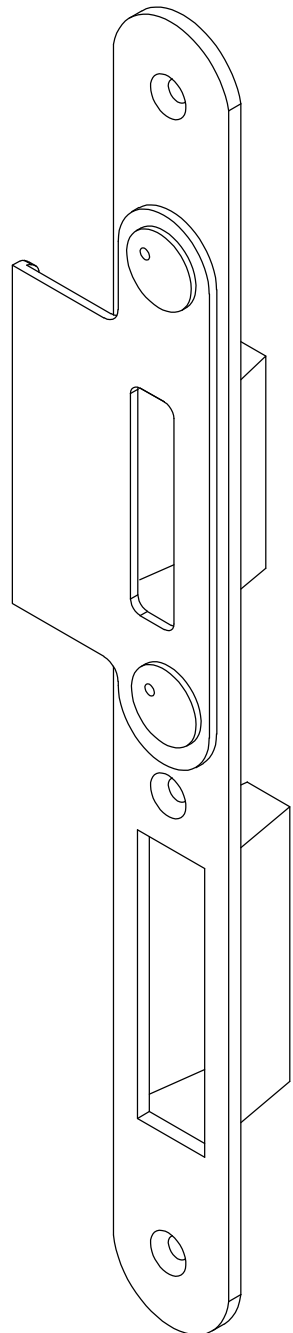
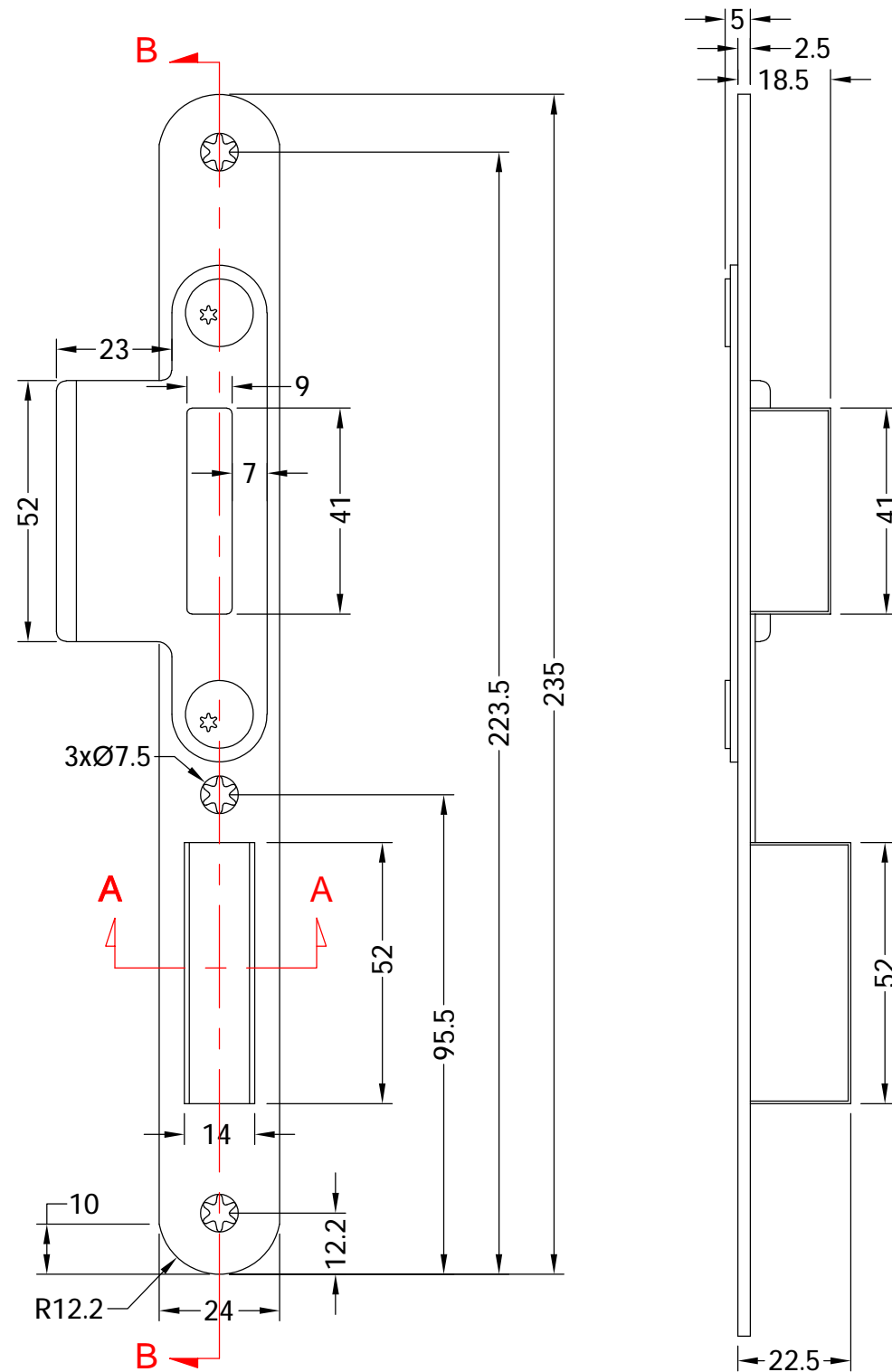


This drawing and specification are the property of the Coastal Group. They are issued in strict confidence and shall not be reproduced, copied or used without written permission.

Revision History			
Revision	Description	Drawn By	Date
A	Released	PW	4/8/17



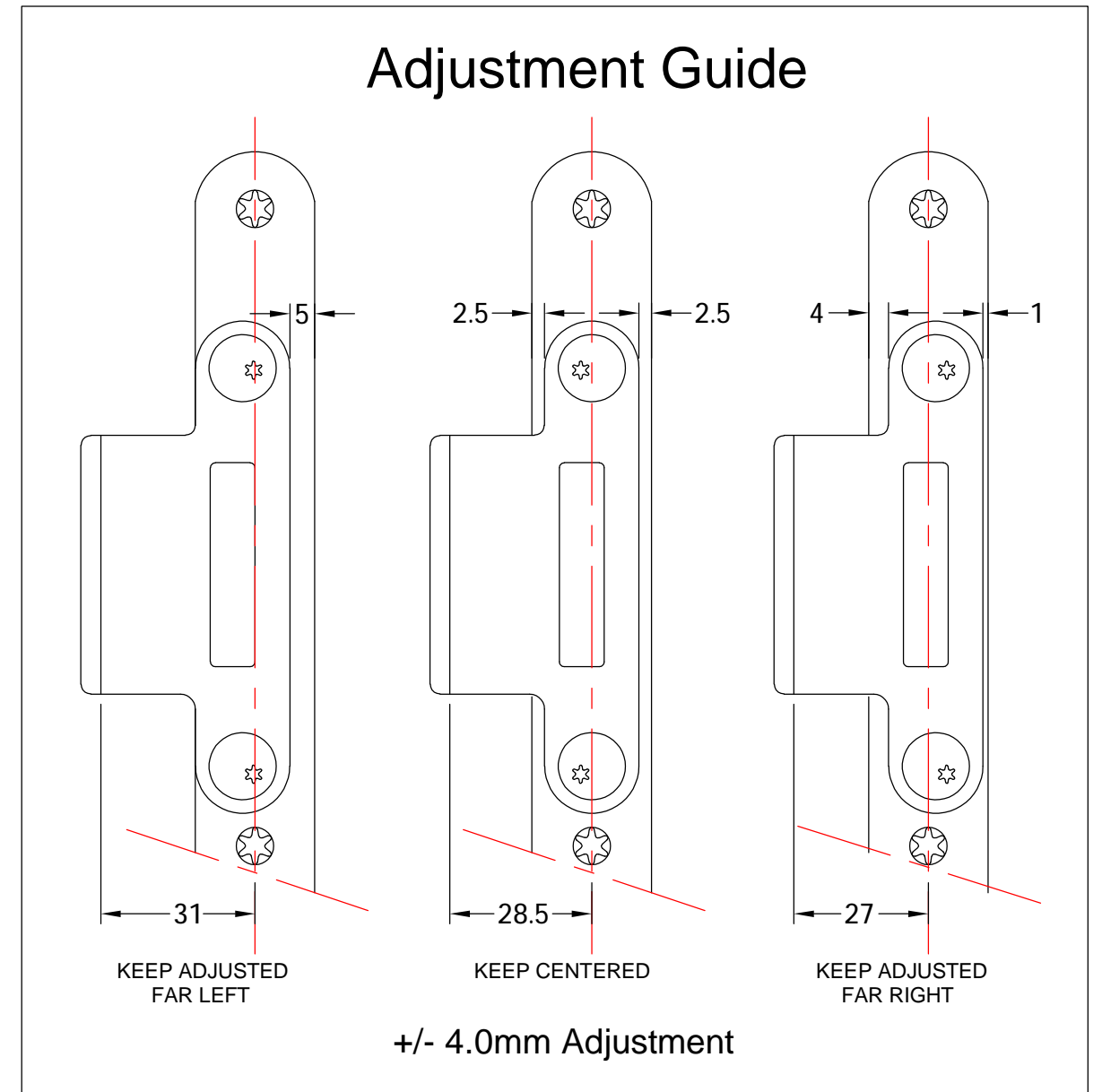
Isometric View



SECTION B-B

SECTION A-A

Left Hand Shown, Right Hand Opposite.



COASTAL GROUP
 Global House, Bojea Industrial Estate, Trethowel, St Austell, PL25 5RJ
 telephone | 01726 871724 - fax | 01726 871731
 email | sales@coastal-group.com - web | www.coastal-group.com

Drawing Reference:
Coastal Group
 Drawing Title:
MK9-28-SV
Centre Keep, 28mm Centre Line

Product Range:
Standard Adjustable Centre Keeps

Additional Info:
 Left Hand Shown, Right Hand Opposite

Date Drawn: 08/08/2017
 Drawn By: Phil Walklett
 Part Number: MK9-28-SV
 File Name: CG-MK9-28-SV.dwg
 Revision: A
 Drawing Scale: NONE
 Sheet Number: 1 of 1

THIRD ANGLE PROJECTION
 This drawing and specification are the property of Coastal Group, they are issued in strict confidence and shall not be reproduced, copied or used without written permission.