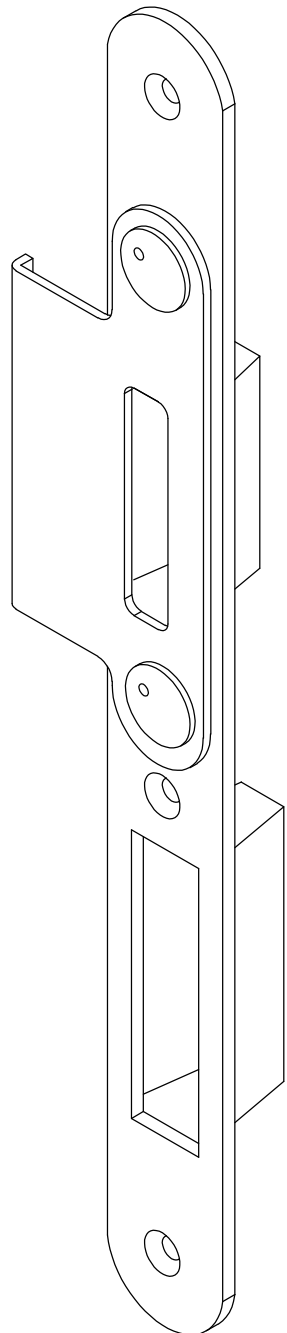
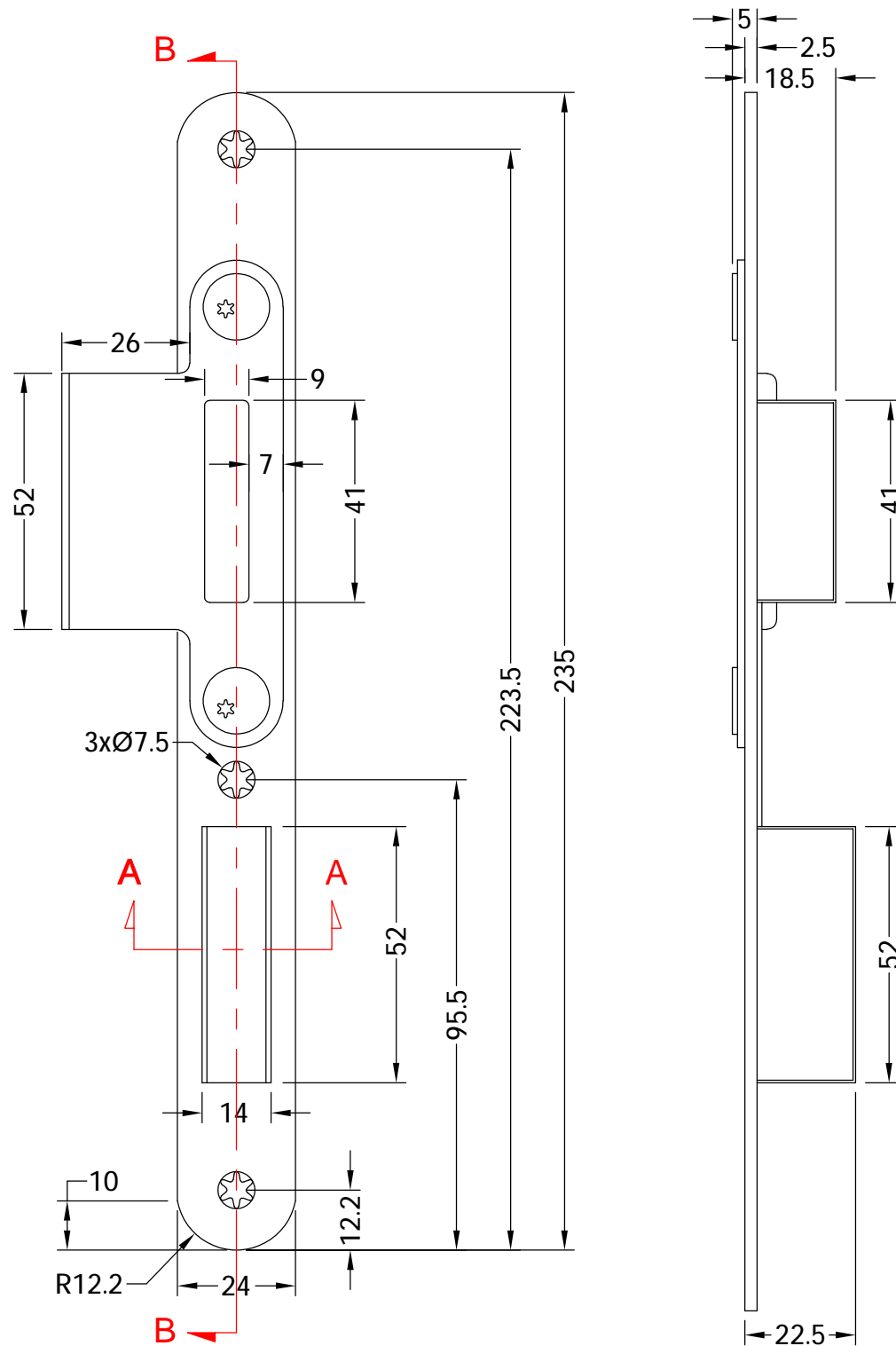


This drawing and specification are the property of the Coastal Group. They are issued in strict confidence and shall not be reproduced, copied or used without written permission.

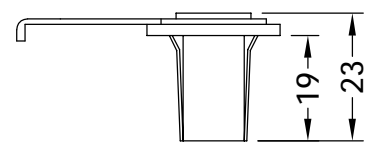
Revision History			
Revision	Description	Drawn By	Date
A	Released	PW	4/8/17



Isometric View

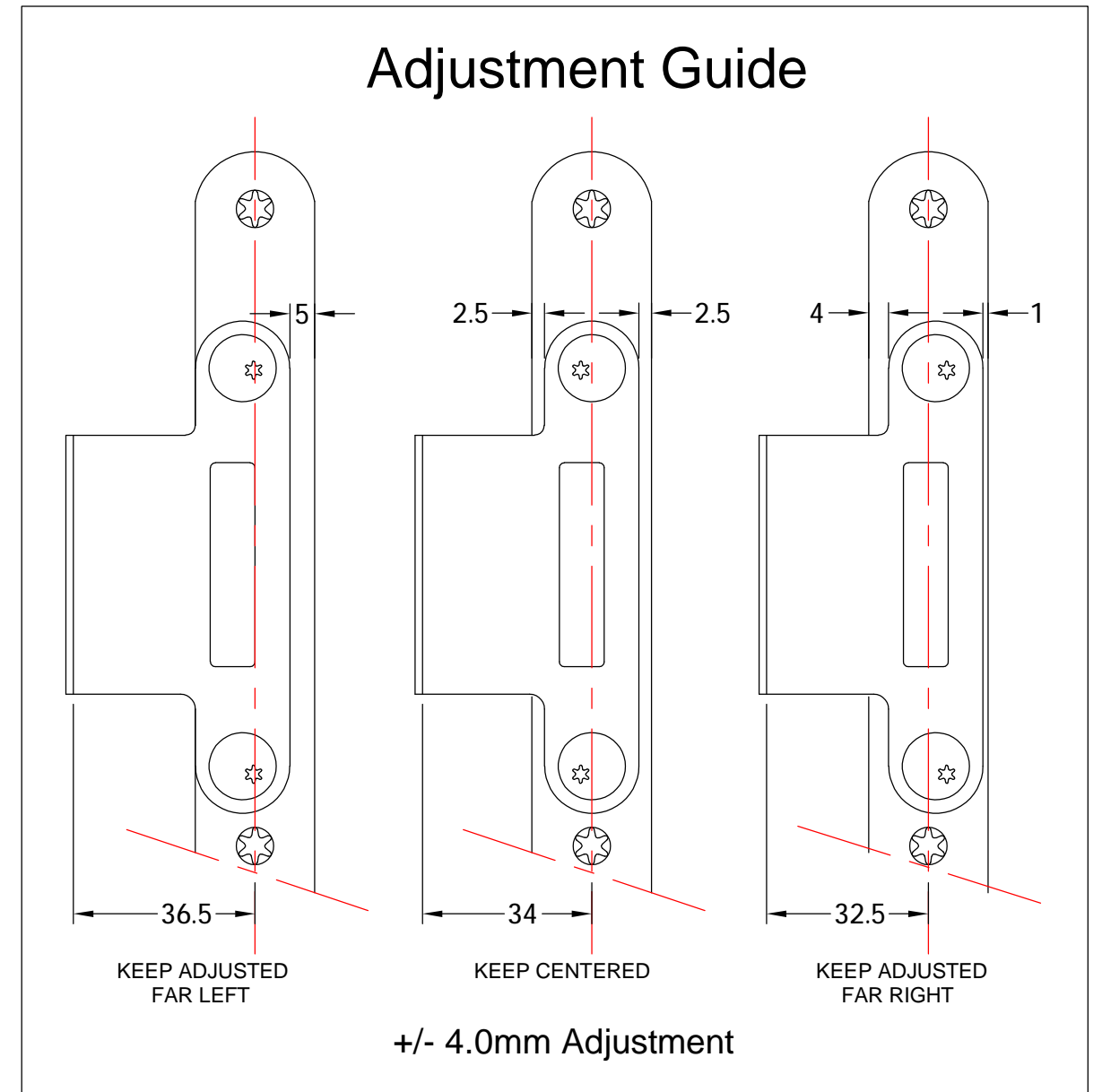


SECTION B-B



SECTION A-A

Left Hand Shown, Right Hand Opposite.



Drawing Reference:	
Coastal Group	
Drawing Title: MK9-33-SV Centre Keep, 33mm Centre Line	
Product Range: Standard Adjustable Centre Keeps	
Additional Info:	Left Hand Shown, Right Hand Opposite
Date Drawn:	08/08/2017
Drawn By:	Phil Walklett
Part Number:	MK9-33-SV
File Name:	CG-MK9-33-SV.dwg
Revision:	A
Drawing Scale:	NONE
Sheet Number:	1 of 1
THIRD ANGLE PROJECTION	This drawing and specification are the property of Coastal Group, they are issued in strict confidence and shall not be reproduced, copied or used without written permission.