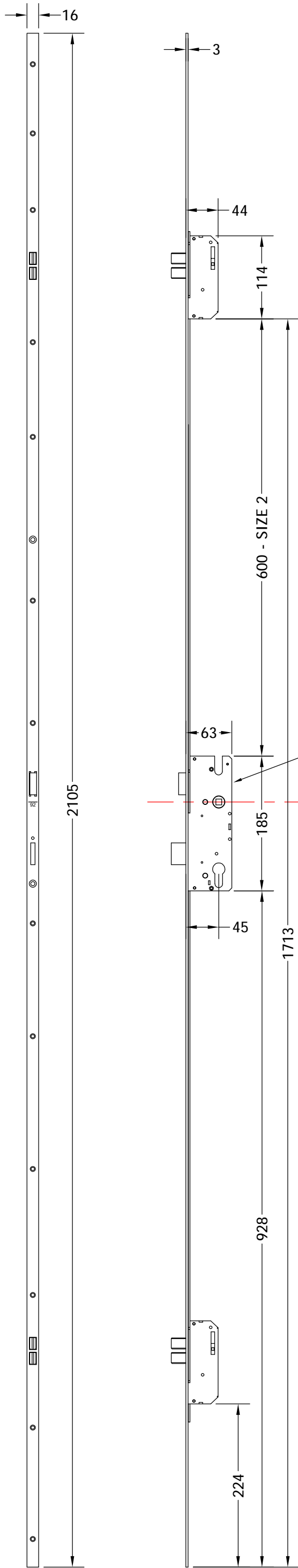
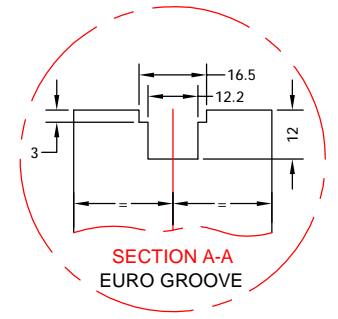
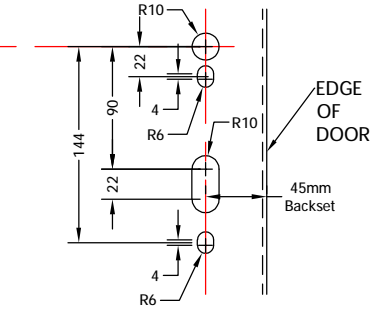
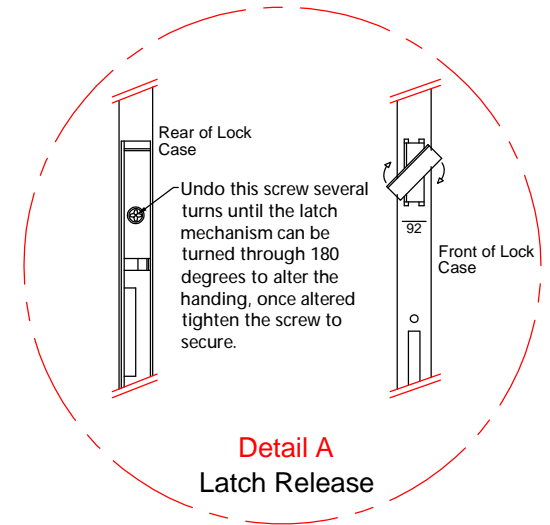
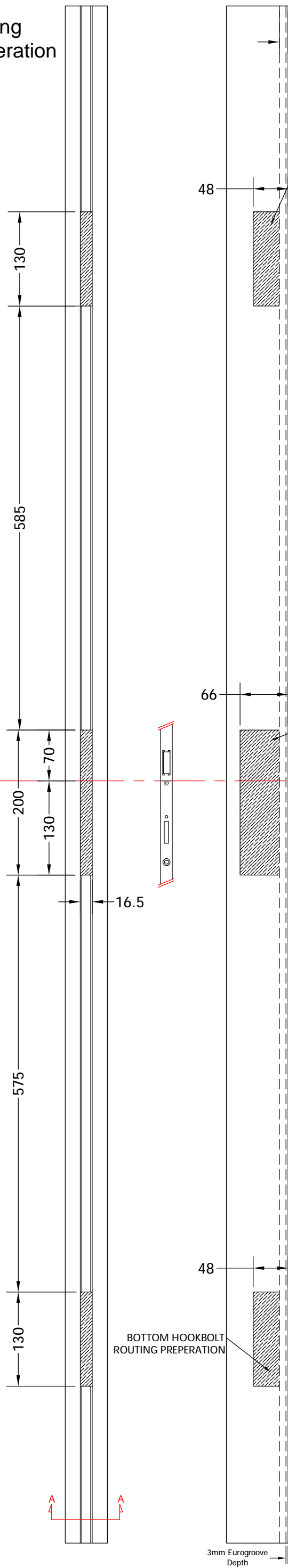


Revision History			
Revision	Description	Drawn By	Date
A	Released	PW	8/6/17



Routing Preparation



COASTAL GROUP
 Global House, Bojia Industrial Estate, Trethowel, St Austell, PL25 5RJ
 telephone | 01726 871724 - fax | 01726 871731
 email | sales@coastal-group.com - web | www.coastal-group.com

Drawing Reference:
Coastal Group
 Drawing Title:
ML66S - SIZE 2 - 45mm Backset Twin Tapered Deadbolt
 Product Range:
Single Door Multipoint Door Lock
 Additional Info: 92mm Lock Centres, 16mm Faceplate Universal Handing - Square Ends
 Date Drawn: 13/06/2017
 Drawn By: Phil Walklett
 Part Number: ML66S-45-2-SV
 File Name: CG-ML66S-45-2-SV.dwg
 Revision: A
 Drawing Scale: NONE
 Sheet Number: 1 of 1

THIRD ANGLE PROJECTION
 This drawing and specification are the property of Coastal Group, they are issued in strict confidence and shall not be reproduced, copied or used without written permission.