

GLACE RANGE

SASH PULLEY COVER PLATE - RADIUS END

Product Code: SPR95P

LIT-DC-SPR95P



Sliding Sash Range

- High quality heavy duty 2" fully radius end cover plate
- For use with SPR95-RW sash pulleys

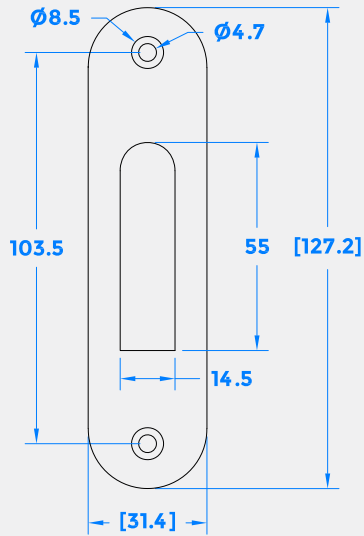


COASTAL

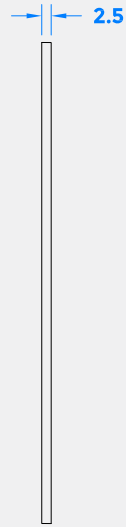
Shaping the future.

SASH PULLEY COVER PLATE - RADIUS END

Front Profile



Side Profile



Visit www.coastal-group.com for CAD drawings

FINISHES:



SC

Satin Chrome



CP

Chrome Plated



SB

Satin Brass



PB

Polished Brass



ORZ

Oil Rubbed Bronze



ABR

Antique Brass

PART NUMBER	PRODUCT DESCRIPTION	FINISH	UNITS
SPR95P-SC	Sash pulley cover plate - Radius end	SC	Each
SPR95P-CP	Sash pulley cover plate - Radius end	CP	Each
SPR95P-SB	Sash pulley cover plate - Radius end	SB	Each
SPR95P-PB	Sash pulley cover plate - Radius end	PB	Each
SPR95P-ORZ	Sash pulley cover plate - Radius end	ORZ	Each
SPR95P-ABR	Sash pulley cover plate - Radius end	ABR	Each



COASTAL

Shaping the future.