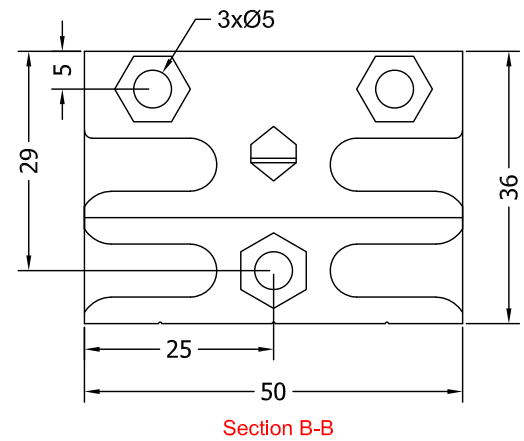
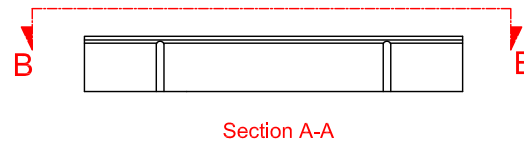
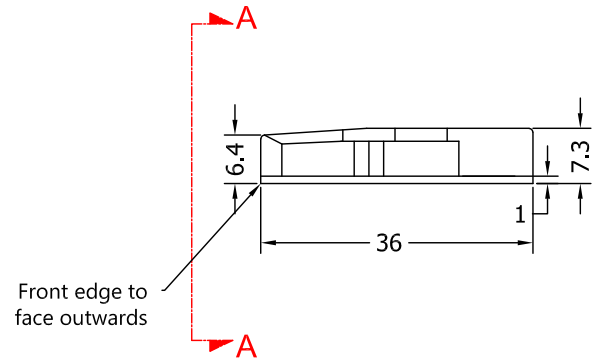


REVISIONS

Revision	Description	Drawn By	Date
A	Released	PW	1/3/17



Global House, Bojea Industrial Estate, Trethowel, St Austell, PL25 5RJ
 telephone | 01726 871724 - fax | 01726 871731
 email | sales@coastal-group.com - web | www.coastal-group.com

Innovating & upgrading the style, performance & longevity of external doors & windows globally

Drawing Reference:

Coastal Group

Drawing Title:

EBSK-SEC Keep

Security Night Vent Keep

Product Range:

Espagnolette Bolt Keeps

Additional Info: For Mushroom Type Bolts

Date Drawn: 29/08/2018

Drawn By: Phil Walklett

Part Number: EBSK-SEC

File Name: CG-EBSK-SEC.dwg

Revision: A

Drawing Scale: 1:1 @ A4

Sheet Number: 1 of 1

THIRD ANGLE PROJECTION

This drawing and specification are the property of Coastal Group, they are issued in strict confidence and shall not be reproduced, copied or used without written permission.