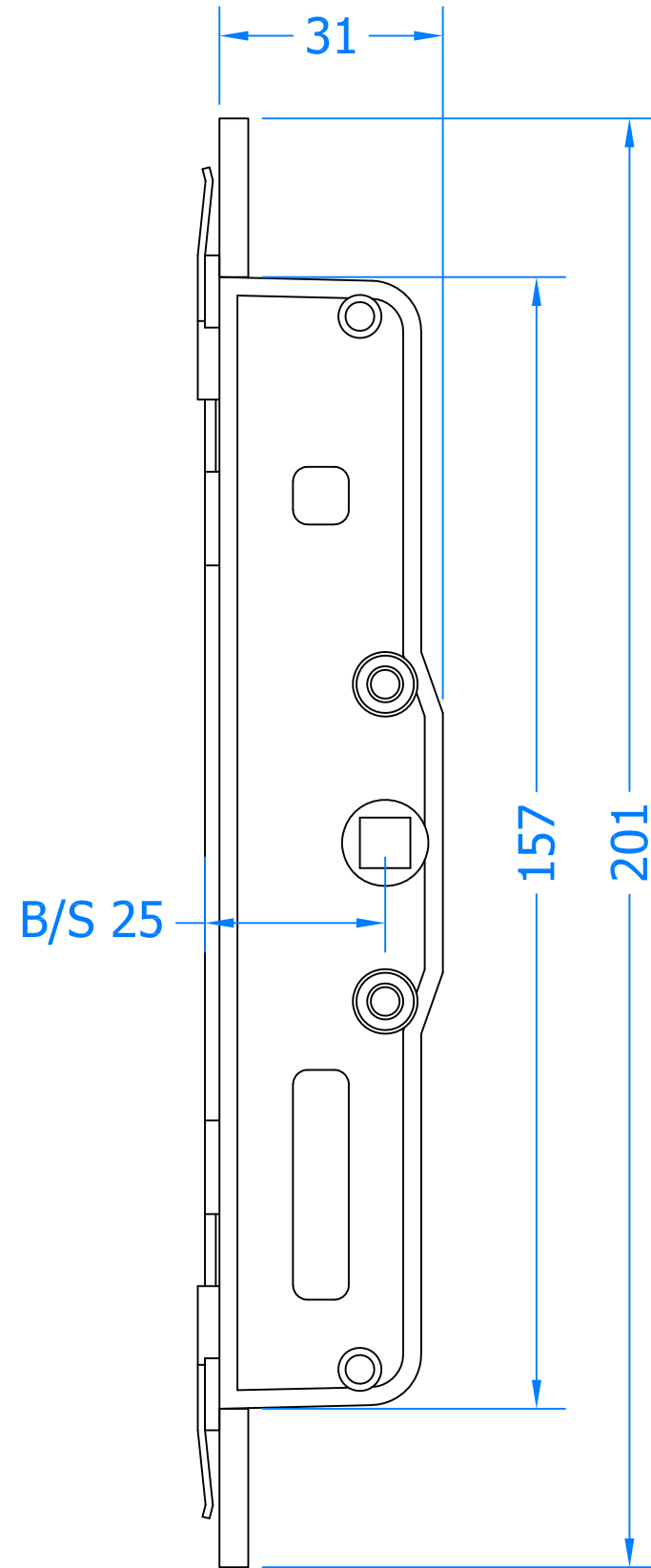
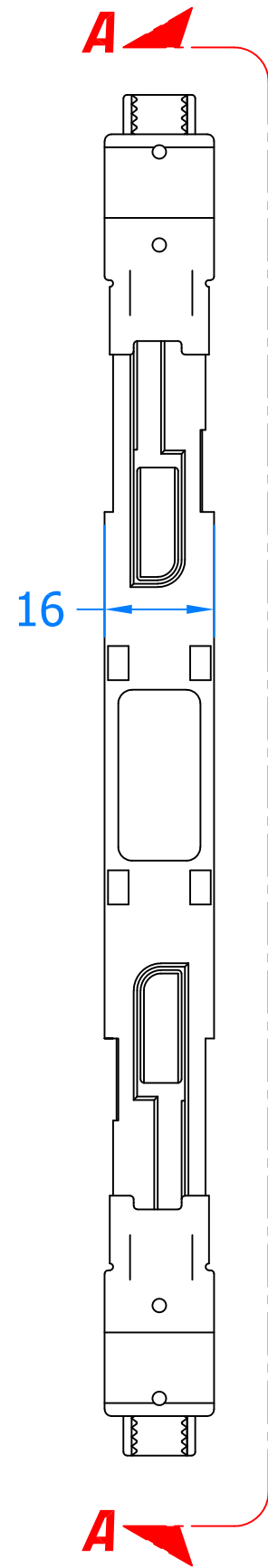


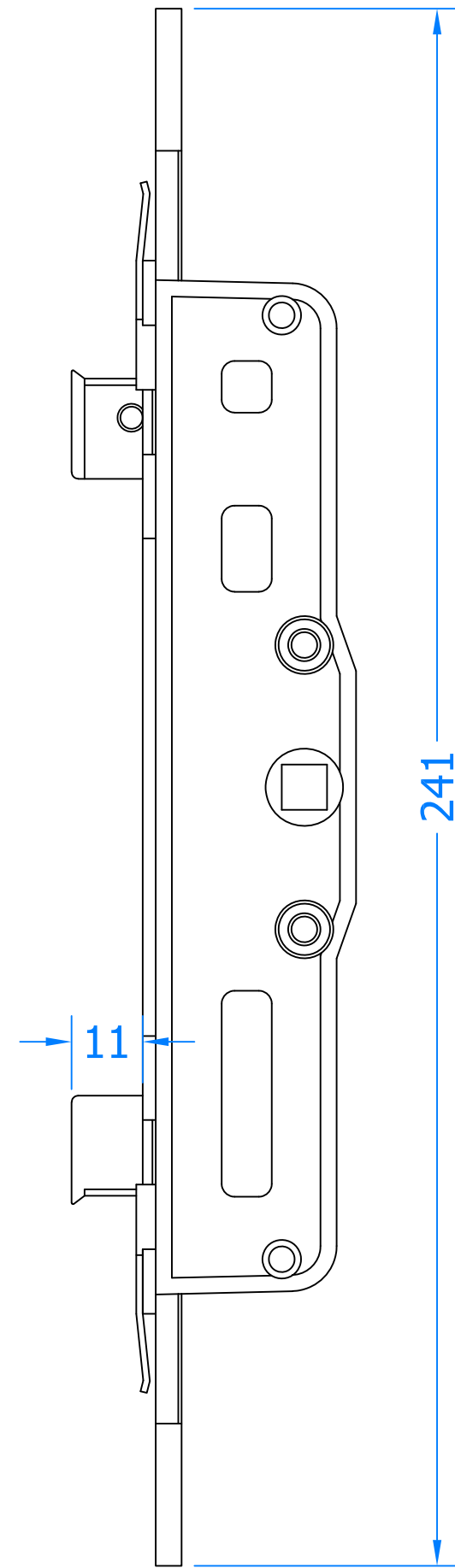
REVISION HISTORY

Revision	Description	Drawn	Date
A	Release	PW	30/8/18



Section A-A

Closed Position



Fired Position

**Innovating & Upgrading the Style,
Performance & Longevity of
External Doors & Windows Globally.**

Coastal Specialist Ironmongery Ltd.

Global House, Bojea Industrial Estate, Trethowel, St Austell, PL25 5RJ
t | 01726 871725 - f | 01726 871731 - e | sales@coastal-group.com
w | www.coastal-group.com

Drawing Title:
**EXG-25-SV
Riegel EXE Centre Gearbox**

Product Range:
Window Hardware

Additional Info: 25mm Backset Version

Date Drawn: 30/08/2018

Drawn By: Phil Walklett

Part Number: EXG-25-SV

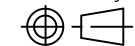
File Name: CG-EXG-25-SV.dwg

Revision: A

Drawing Scale: 1:1@A3

Sheet Number: 1 of 1

THIRD ANGLE PROJECTION



This drawing and specification are the property of Coastal, they are issued in strict confidence and shall not be reproduced, copied or used without written permission.