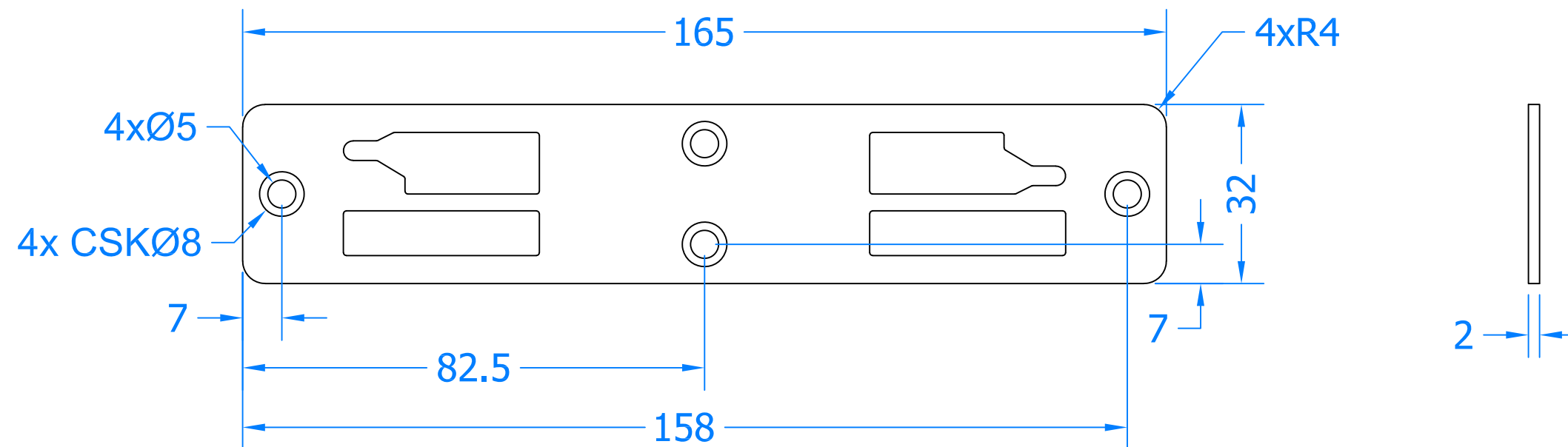


**REVISION HISTORY**

Revision	Description	Drawn	Date
A	Release	PW	30/8/18



**Innovating & Upgrading the Style,  
Performance & Longevity of  
External Doors & Windows Globally.**

**Coastal Specialist Ironmongery Ltd.**

Global House, Bojea Industrial Estate, Trethowel, St Austell, PL25 5RJ  
t | 01726 871725 - f | 01726 871731 - e | sales@coastal-group.com  
w | www.coastal-group.com

Drawing Title:  
**EXK-9-SV  
Riegel EXE Espag Centre Keep**

Product Range:  
**Window Hardware**

Additional Info:

Date Drawn: 30/08/2018

Drawn By: Phil Walklett

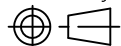
Part Number: EXK-9-SV

File Name: CG-EXK-9-SV.dwg

Revision: A

Drawing Scale: 1:1@A3

Sheet Number: 1 of 1

THIRD ANGLE PROJECTION  This drawing and specification are the property of Coastal, they are issued in strict confidence and shall not be reproduced, copied or used without written permission.