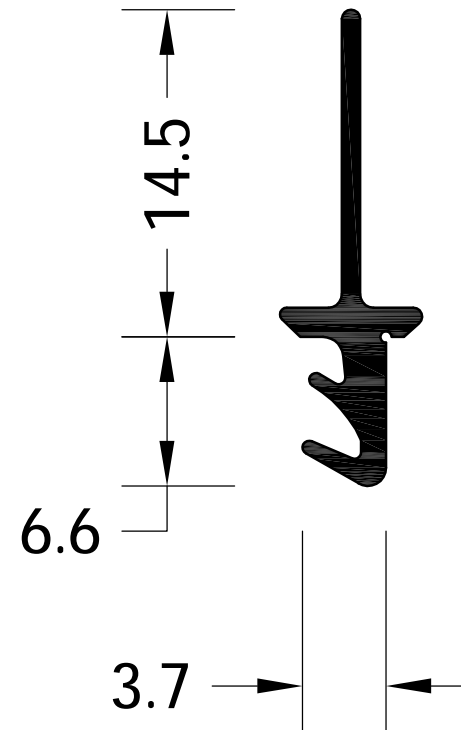
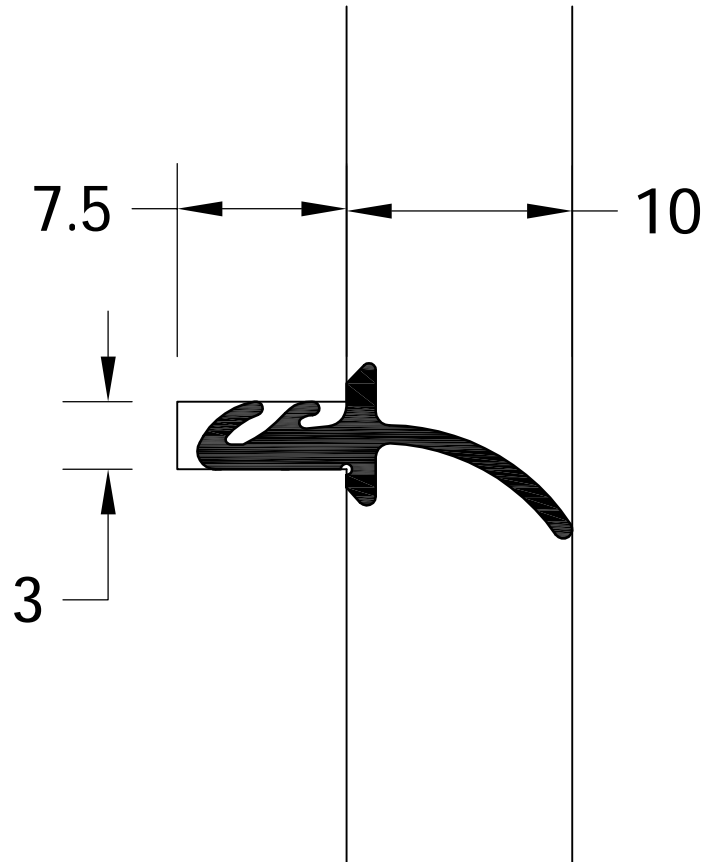


Revision History

Revision	Description	Drawn By	Date	Approved By

S 5507



	Global House Bojea Industrial Estate Trethowel, St Austell Cornwall, PL25 5RJ	
	t 01726 871025 f 01726 871731 e sales@coastal-group.com w www.coastal-group.com	
Customer Reference:		
COASTAL GROUP		
Drawing Title: S5507		
Product Range / Project Reference FLIPPER SEAL		
Other Information:		
Date Drawn: 15/06/2016		
Drawn By: PHIL WALKLETT		
Drawing Number: CG-S5507.dwg		Revision: A
THIRD ANGLE PROJECTION 		This drawing and specification are the property of Coastal Group, they are issued in strict confidence and shall not be reproduced, copied or used without written permission.
Scale: NONE		
Sheet: 1 of 1		