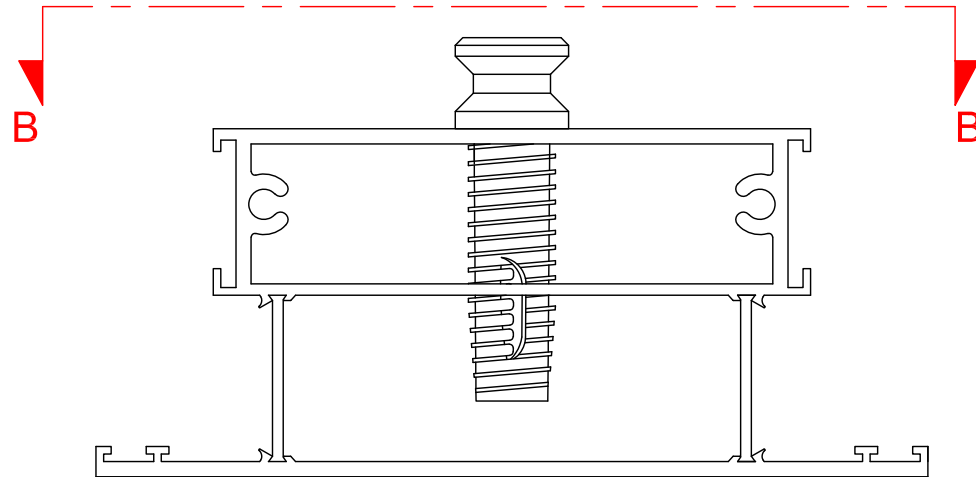
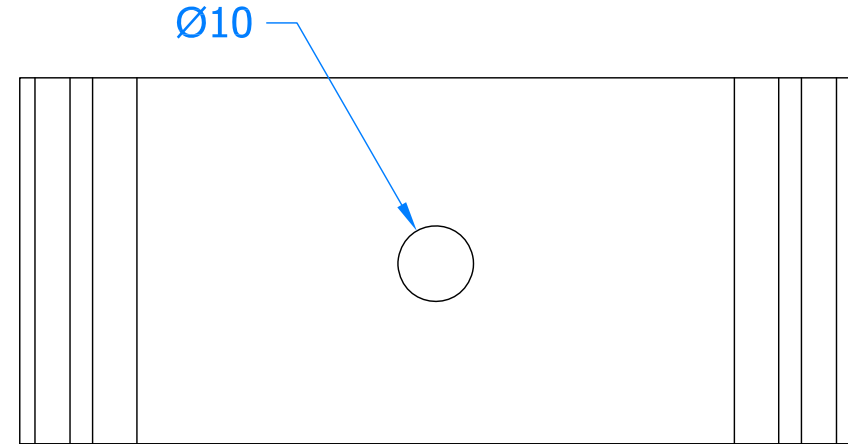


Revision History			
Revision	Description	Drawn By	Date
A	Released for Production	PW	1/3/17
B	Added assembled view and hole diameters	PW	30/1/18

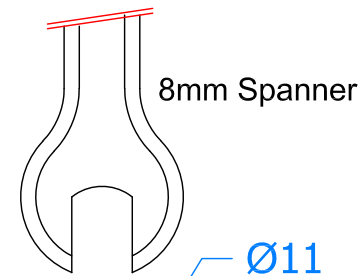
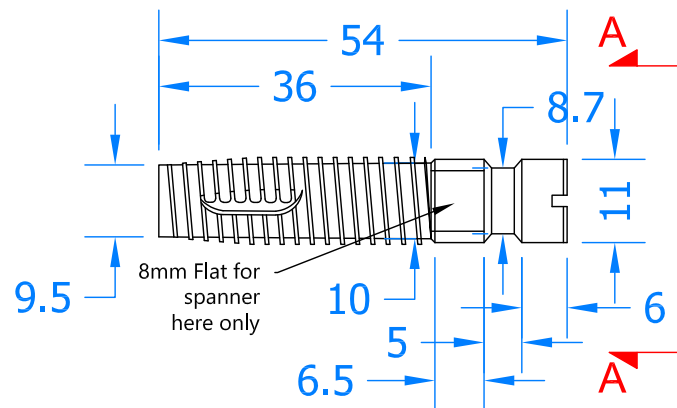


This bolt must grip on to 2 aluminum skins to tighten as shown above.

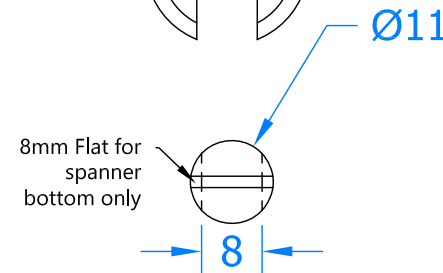
Do NOT drill this hole any larger than 11mm.



Section B-B



8mm Spanner



Section A-A

	Global House Bojea Industrial Estate Trethowel, St Austell Cornwall, PL25 5RJ t 01726 871724 f 01726 871731 sales@blu-performance.com www.blu-performance.com
	Drawing Reference: blu Performance Drawing Title: Secret Fix Bolt For Aluminium Sections Product Range: Pull Bar Handle Fixing Additional Info: 304 Marling Grade Stainless Steel For HAB2 Date Drawn: 30/01/2018 Drawn By: Phill Walklett Part Number: FX-10031-BLU File Name: BP-FX-10031-BLU.dwg Revision: B Drawing Scale: 1:1 @ A4 Sheet Number: 1 of 1
THIRD ANGLE PROJECTION 	This drawing and specification are the property of blu Performance, they are issued in strict confidence and shall not be reproduced, copied or used without written permission.