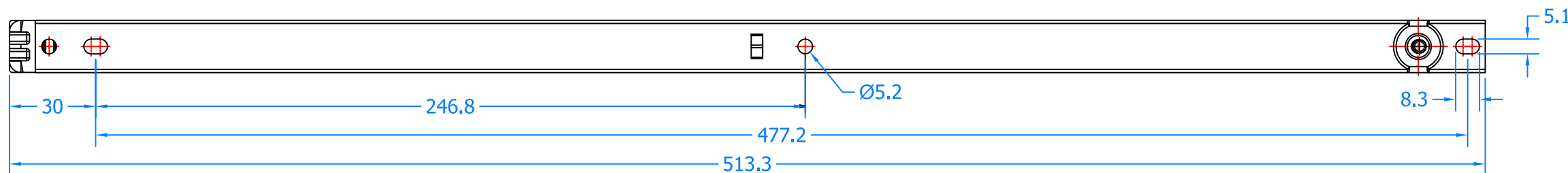
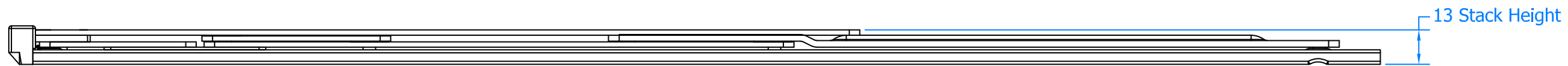
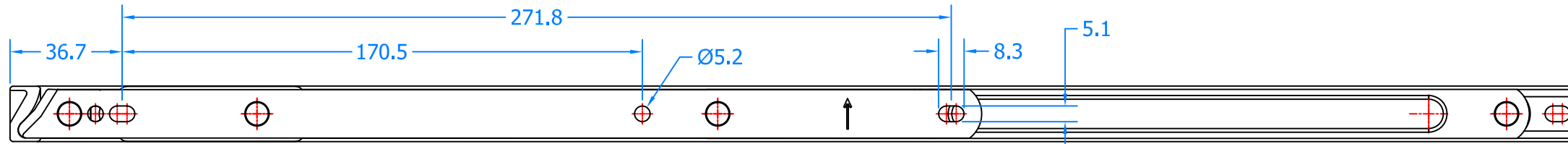
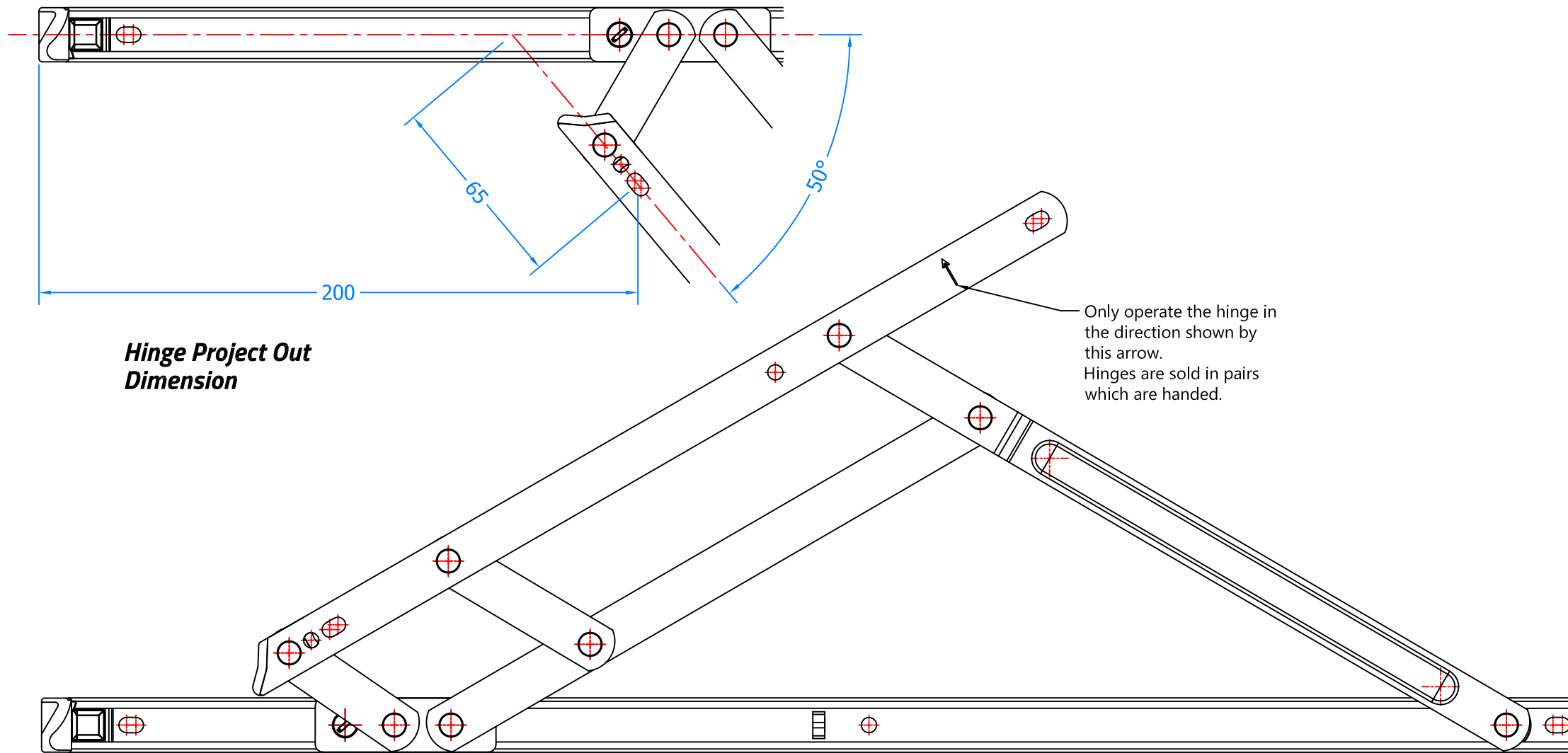


**Right Hand Shown, Left Hand Opposite.**

**REVISION HISTORY**

Revision	Description	Drawn	Date
A	Release	PW	03/09/18



**Innovating & Upgrading the Style, Performance & Longevity of External Doors & Windows Globally.**

**Coastal Specialist Ironmongery Ltd.**  
 Global House, Bojea Industrial Estate, Trethowel, St Austell, PL25 5RJ  
 t | 01726 871725 - f | 01726 871731 - e | sales@coastal-group.com  
 w | www.coastal-group.com

Drawing Title:  
**DT20-TV-SS**  
**20" Top Hung Defender Standard**

Product Range:  
**Friction Hinges**

Additional Info: **TOP HUNG**

Date Drawn: 03/09/2018  
 Drawn By: Phil Walklett  
 Part Number: **DT20-TV-SS**  
 File Name: CG-DT20-TV-SS.dwg  
 Revision: **A**  
 Drawing Scale: Not to Scale  
 Sheet Number: 1 of 1

**THIRD ANGLE PROJECTION**

This drawing and specification are the property of Coastal, they are issued in strict confidence and shall not be reproduced, copied or used without written permission.