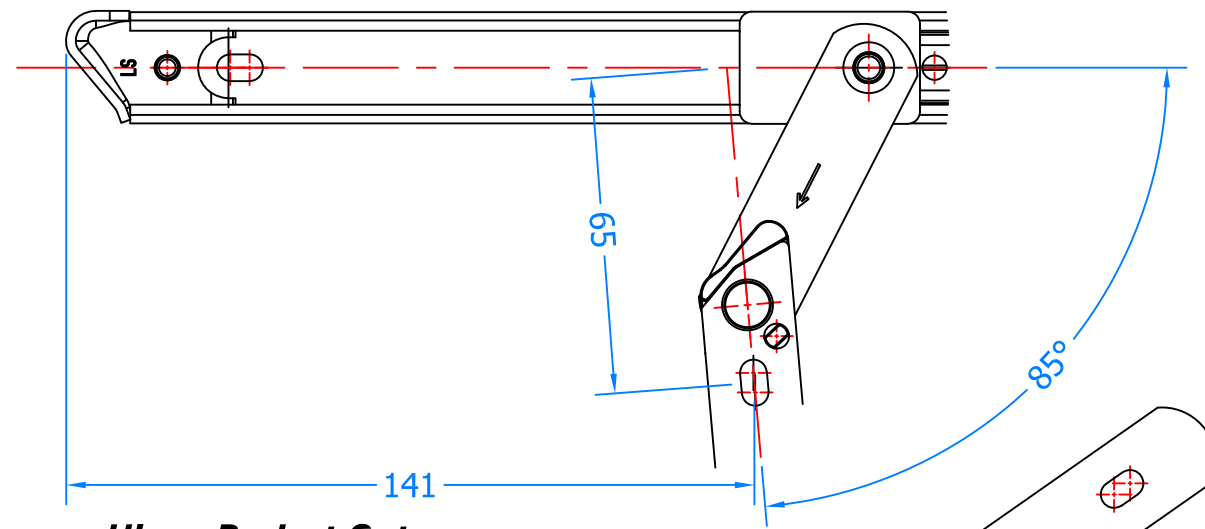


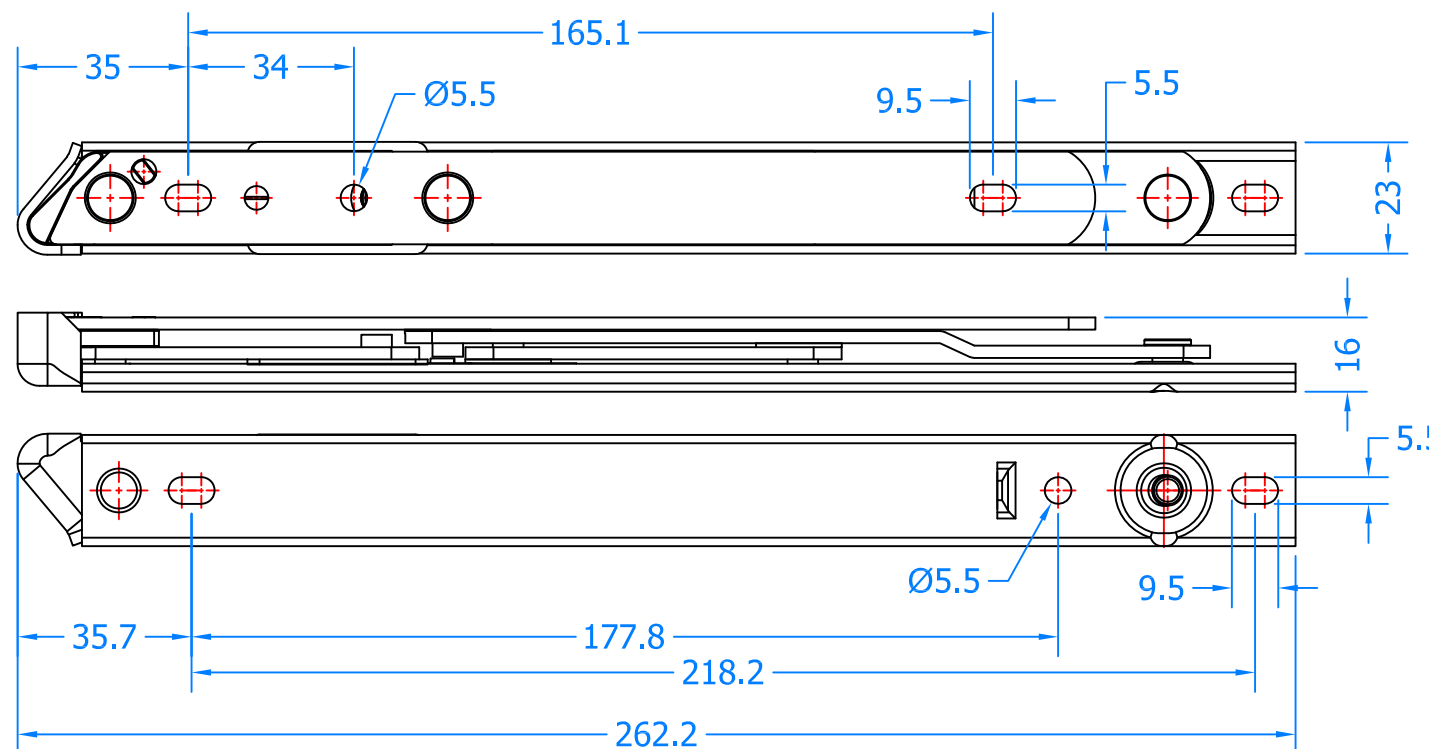
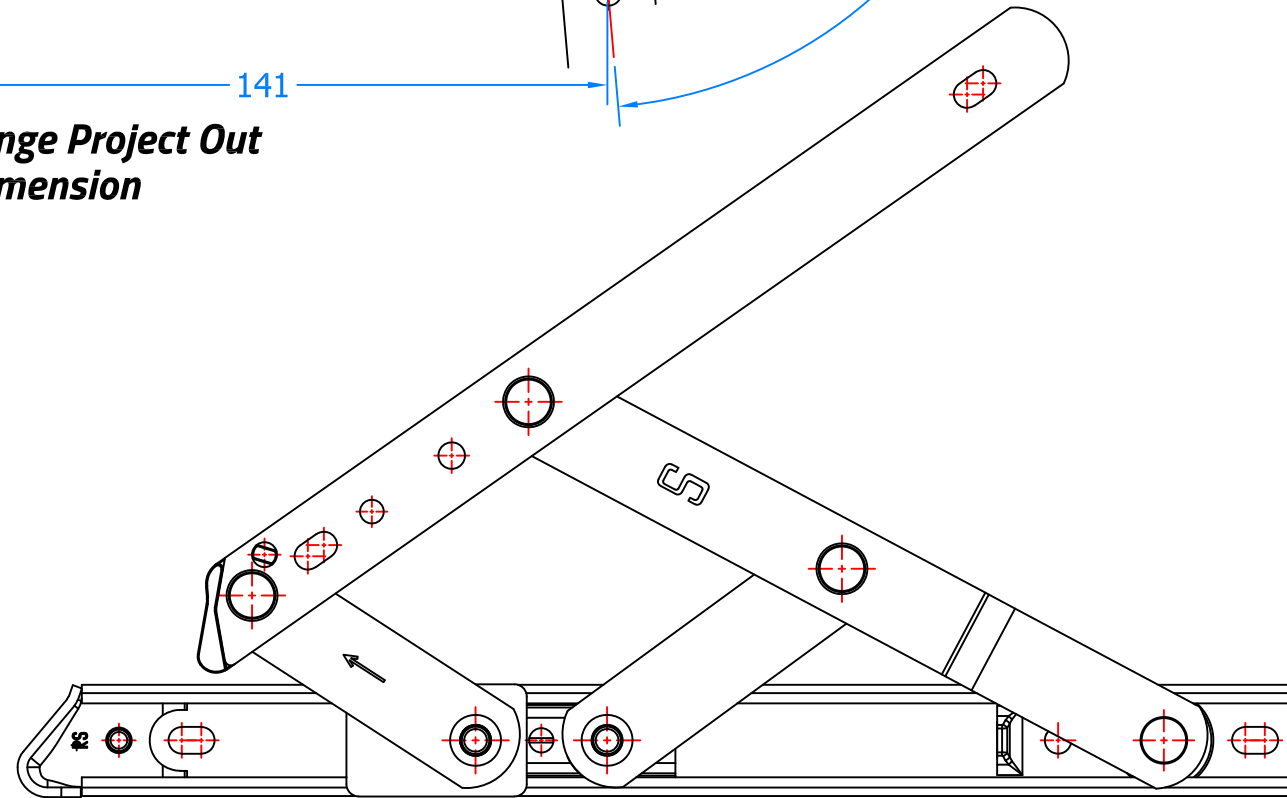
REVISION HISTORY

Revision	Description	Drawn	Date
A	Release	PW	05/09/18



Right Hand Shown, Left Hand Opposite.

Hinge Project Out Dimension



Innovating & Upgrading the Style, Performance & Longevity of External Doors & Windows Globally.

Coastal Specialist Ironmongery Ltd.

Global House, Bojea Industrial Estate, Trethowel, St Austell, PL25 5RJ
 t | 01726 871725 - f | 01726 871731 - e | sales@coastal-group.com
 w | www.coastal-group.com

Drawing Title:
SPS10-SS
10" Sterling Heavy Duty

Product Range:
Friction Hinges

Additional Info: **SIDE HUNG**
38kg

Date Drawn: 05/09/2018

Drawn By: Phil Walklett

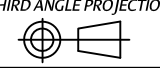
Part Number: **SPS10-SS**

File Name: CG-SPS10-SS.dwg

Revision: **A**

Drawing Scale: Not to Scale

Sheet Number: 1 of 1

THIRD ANGLE PROJECTION
 This drawing and specification are the property of Coastal, they are issued in strict confidence and shall not be reproduced, copied or used without written permission.