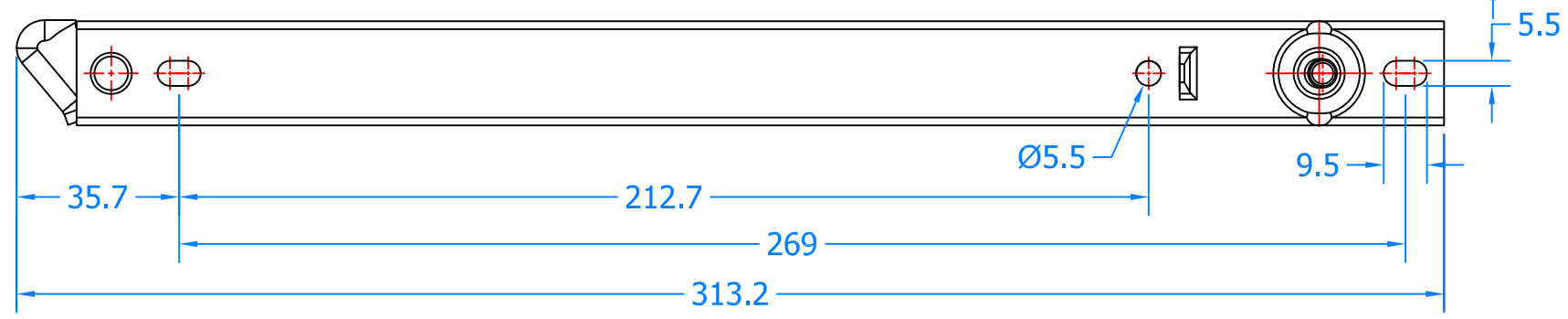
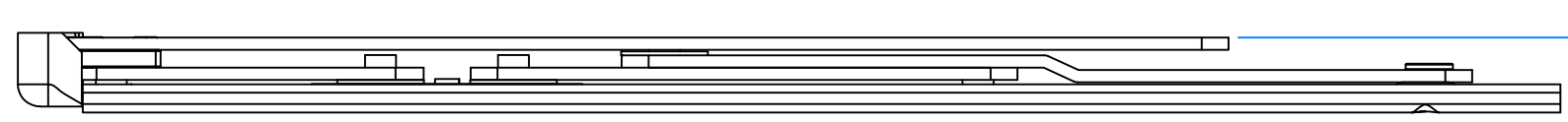
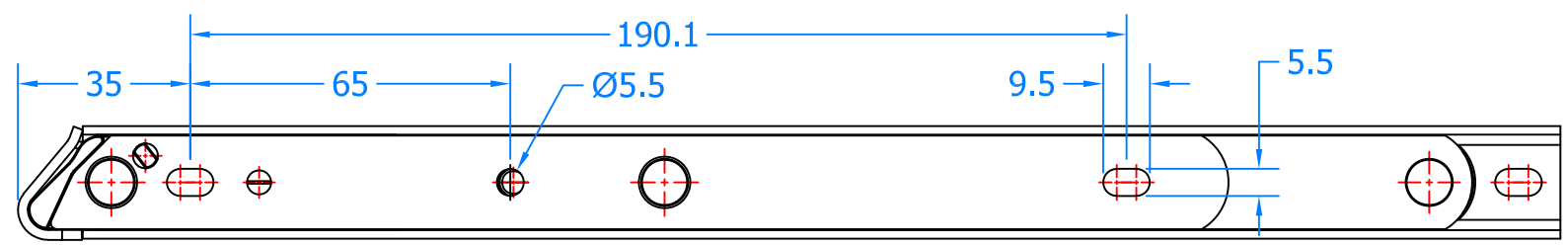
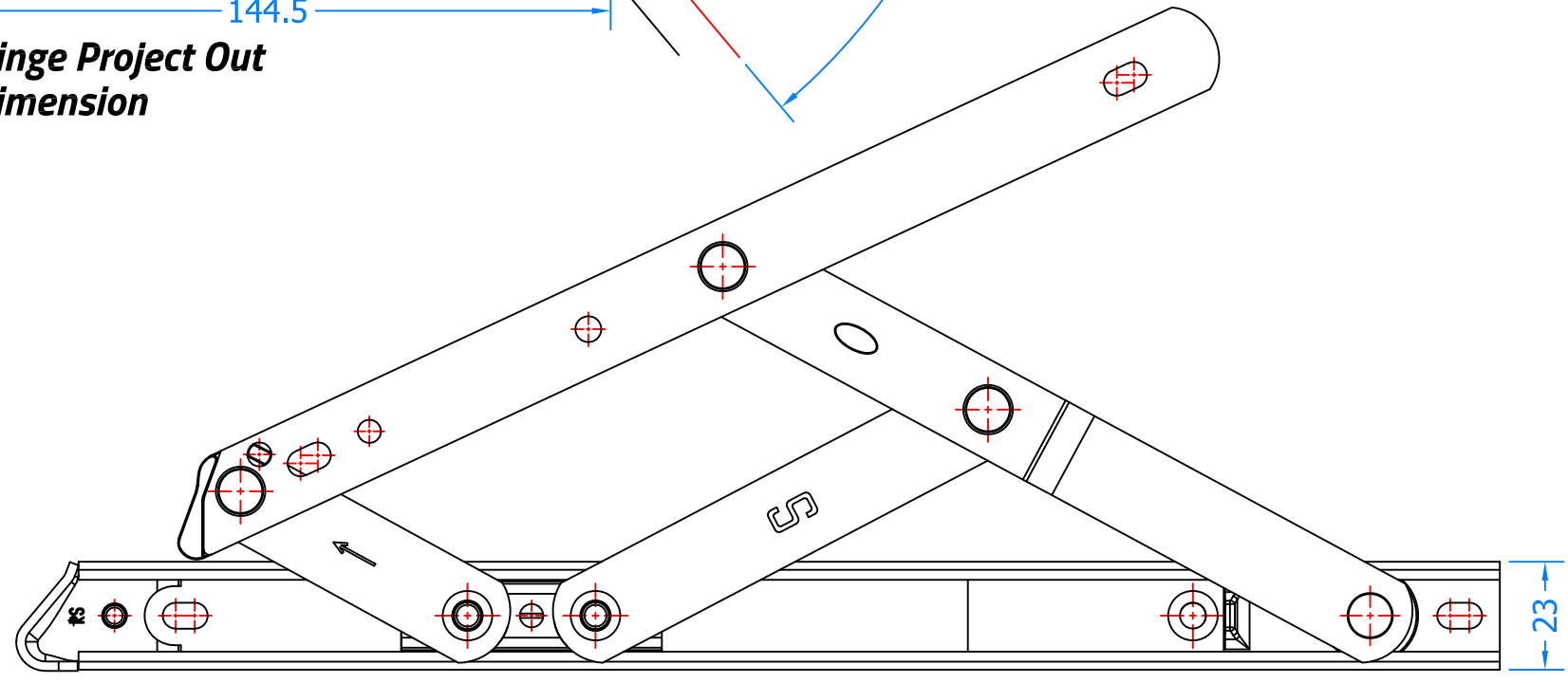
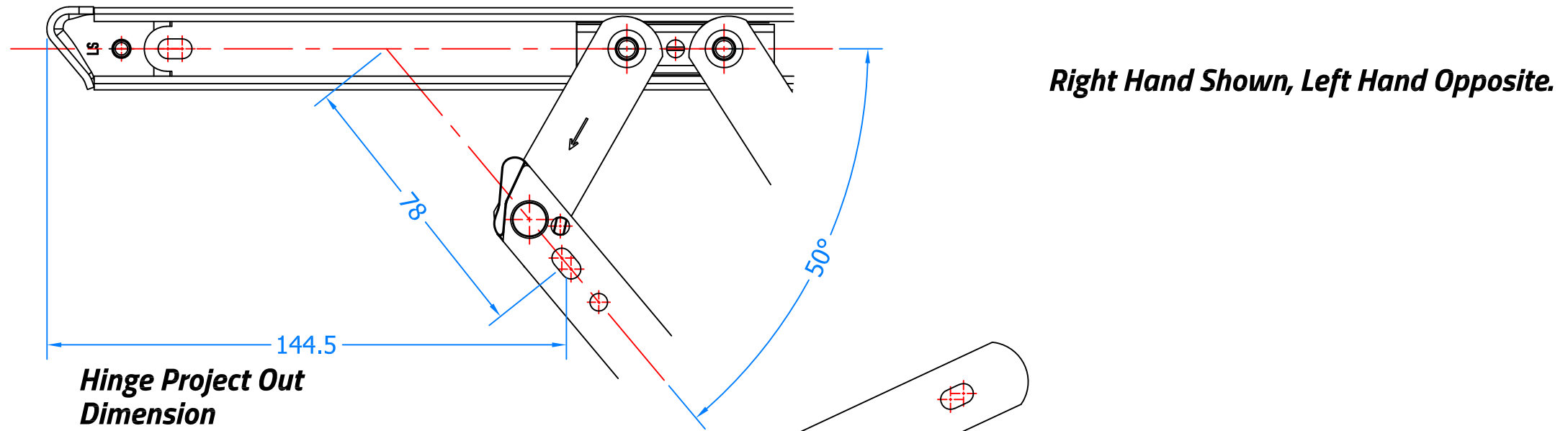


REVISION HISTORY

Revision	Description	Drawn	Date
A	Release	PW	05/09/18



Innovating & Upgrading the Style, Performance & Longevity of External Doors & Windows Globally.

Coastal Specialist Ironmongery Ltd.
 Global House, Bojea Industrial Estate, Trethowel, St Austell, PL25 5RJ
 t | 01726 871725 - f | 01726 871731 - e | sales@coastal-group.com
 w | www.coastal-group.com

Drawing Title:
SPT12-SS
12" Sterling Heavy Duty

Product Range:
Friction Hinges

Additional Info: **TOP HUNG**

Date Drawn: 05/09/2018

Drawn By: Phil Walklett

Part Number: **SPT12-SS**

File Name: CG-SPT12-SS.dwg

Revision: **A**

Drawing Scale: **Not to Scale**

Sheet Number: 1 of 1

THIRD ANGLE PROJECTION

This drawing and specification are the property of Coastal, they are issued in strict confidence and shall not be reproduced, copied or used without written permission.

