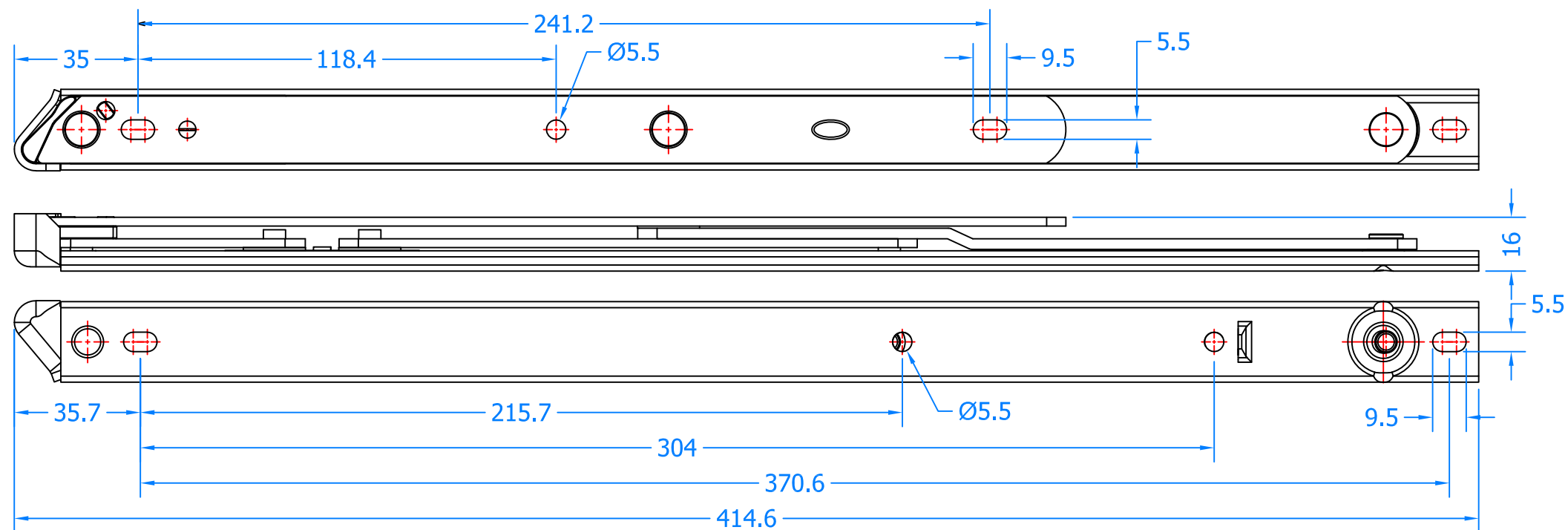
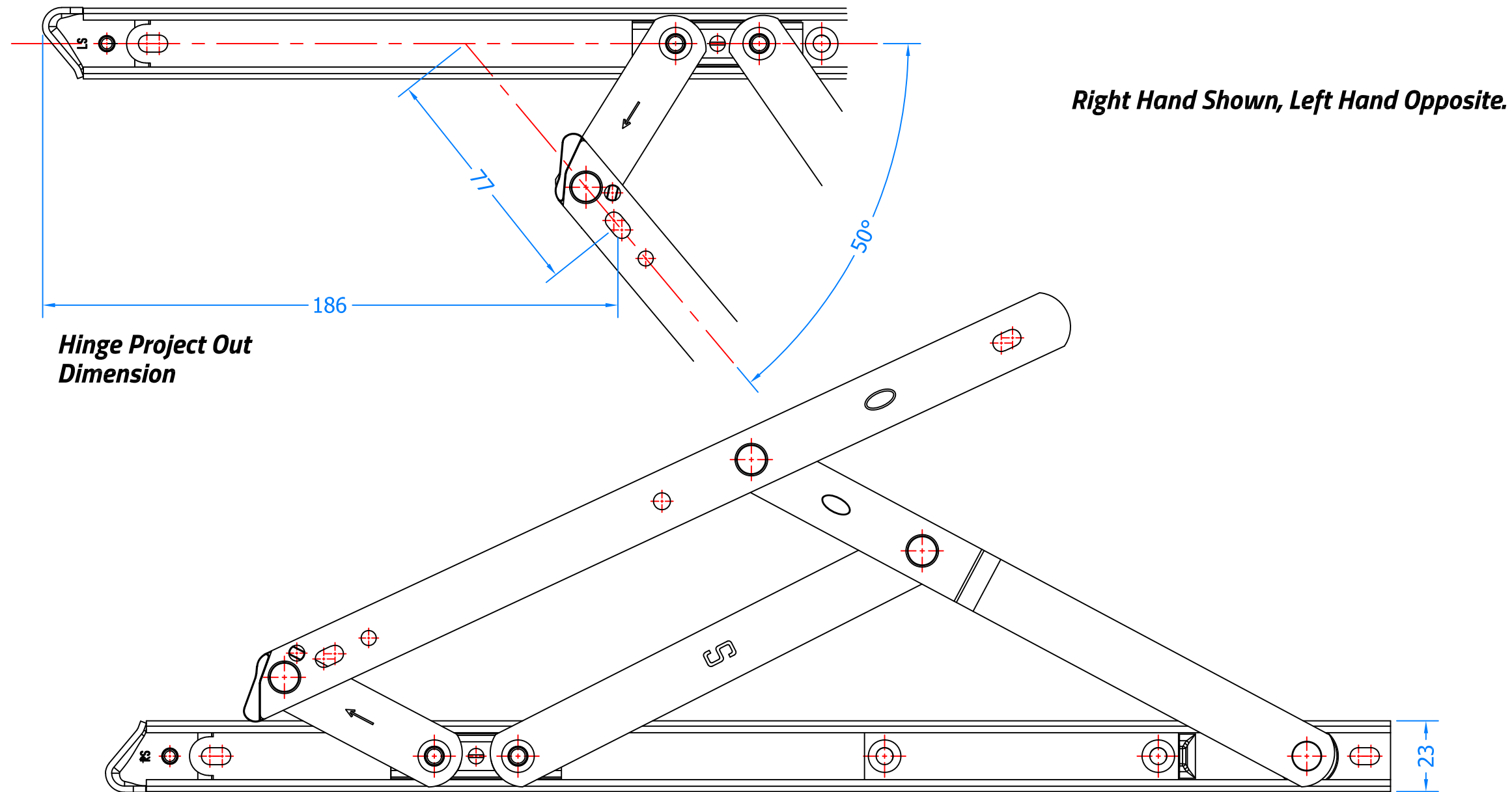


REVISION HISTORY

Revision	Description	Drawn	Date
A	Release	PW	05/09/18



Innovating & Upgrading the Style, Performance & Longevity of External Doors & Windows Globally.

Coastal Specialist Ironmongery Ltd.

Global House, Bojea Industrial Estate, Trethowel, St Austell, PL25 5RJ
 t | 01726 871725 - f | 01726 871731 - e | sales@coastal-group.com
 w | www.coastal-group.com

Drawing Title:
SPT16-SS
16" Sterling Heavy Duty

Product Range:
Friction Hinges

Additional Info: **TOP HUNG**

Date Drawn: 05/09/2018

Drawn By: Phil Walklett

Part Number: **SPT16-SS**

File Name: CG-SPT16-SS.dwg

Revision: **A**

Drawing Scale: Not to Scale

Sheet Number: 1 of 1

THIRD ANGLE PROJECTION

This drawing and specification are the property of Coastal, they are issued in strict confidence and shall not be reproduced, copied or used without written permission.



This drawing and specification are the property of Coastal, they are issued in strict confidence and shall not be reproduced, copied or used without written permission.