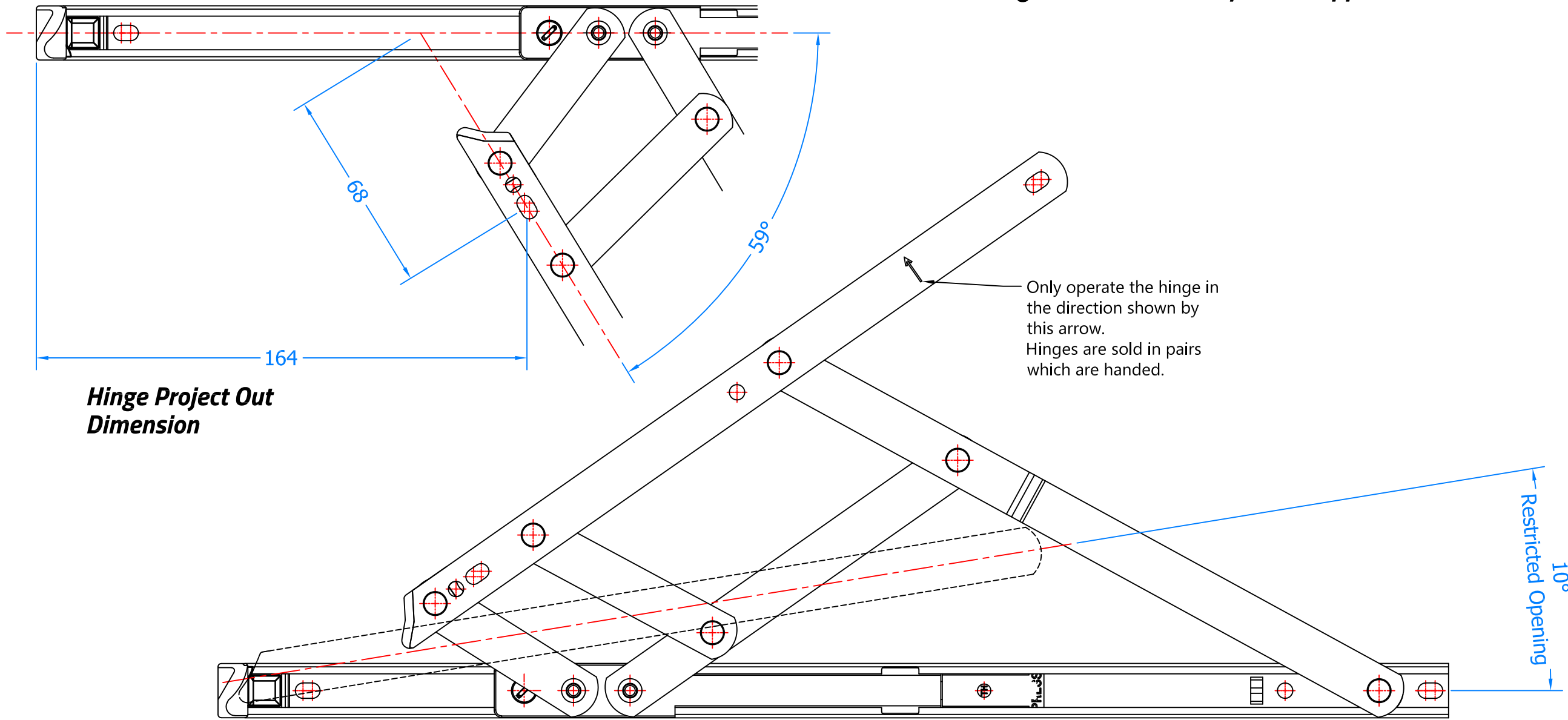


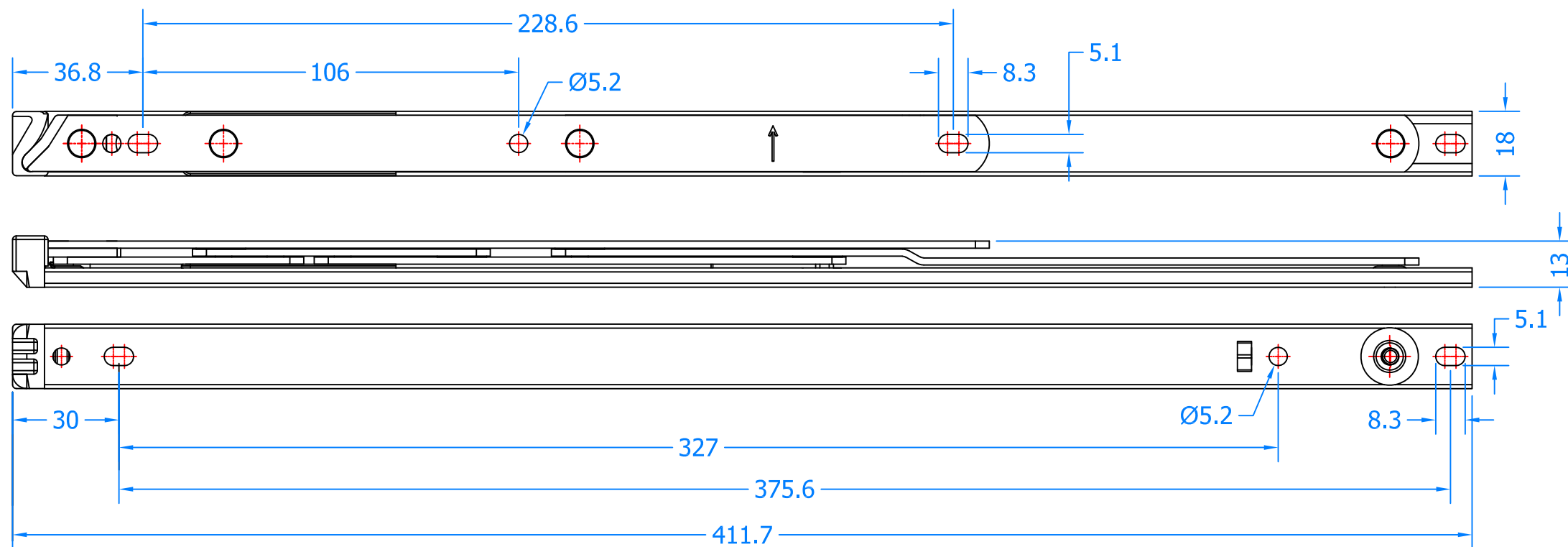
REVISION HISTORY

Revision	Description	Drawn	Date
A	Release	PW	04/09/18

Right Hand Shown, Left Hand Opposite.



Hinge Project Out Dimension



Innovating & Upgrading the Style, Performance & Longevity of External Doors & Windows Globally.

Coastal Specialist Ironmongery Ltd.
 Global House, Bojea Industrial Estate, Trethowel, St Austell, PL25 5RJ
 t | 01726 871725 - f | 01726 871731 - e | sales@coastal-group.com
 w | www.coastal-group.com

Drawing Title:
DTR16-TV-SS
16" Top Hung Defender Restricted

Product Range:
Restricted Friction Hinge

Additional Info:
 TOP HUNG
 Both Hinges Have Restriction

Date Drawn: 04/09/2018
 Drawn By: Phil Walklett
 Part Number: DTR16-TV-SS
 File Name: CG-DTR16-TV-SS.dwg
 Revision: A
 Drawing Scale: Not to Scale
 Sheet Number: 1 of 1

THIRD ANGLE PROJECTION

This drawing and specification are the property of Coastal, they are issued in strict confidence and shall not be reproduced, copied or used without written permission.