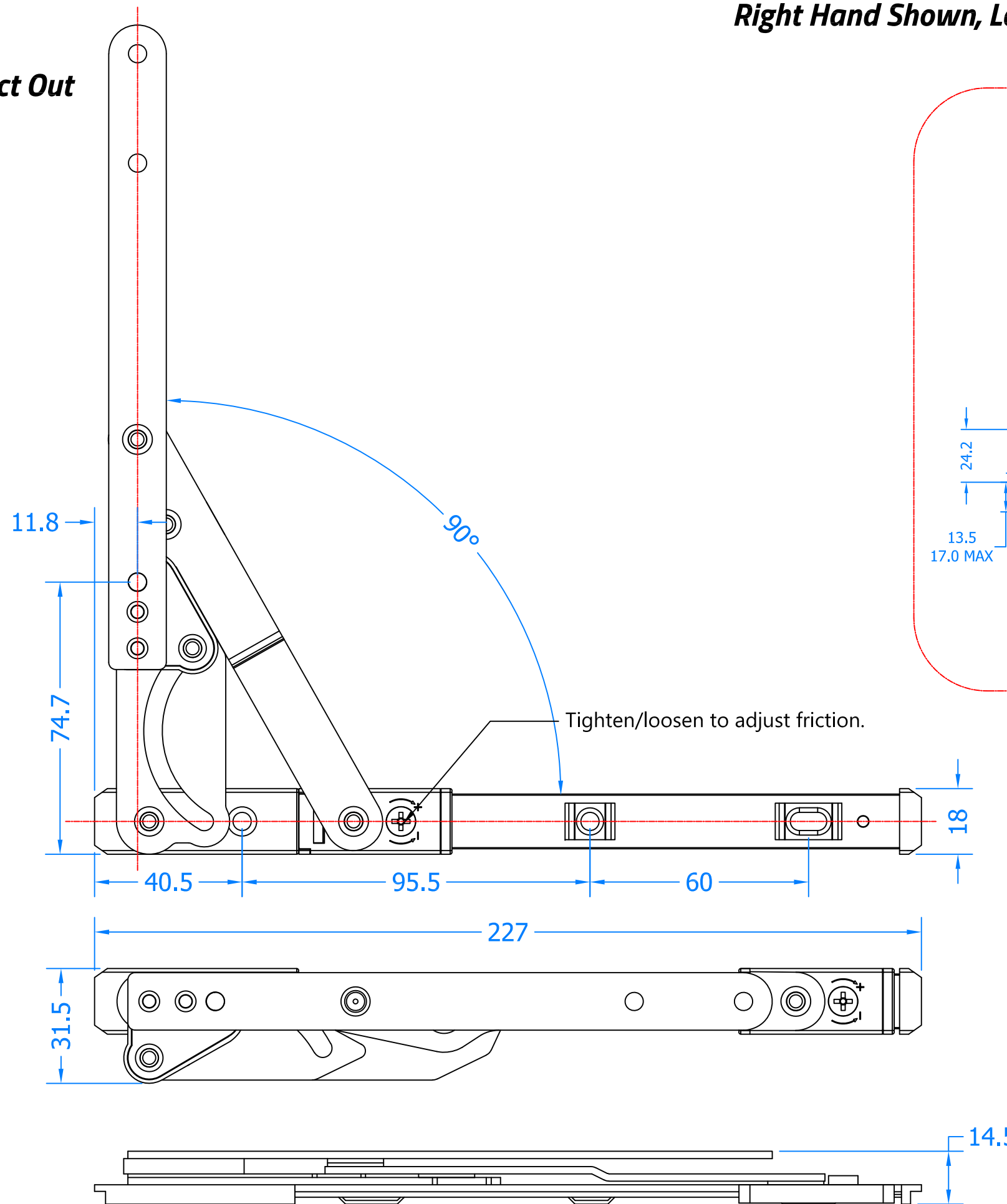


REVISION HISTORY

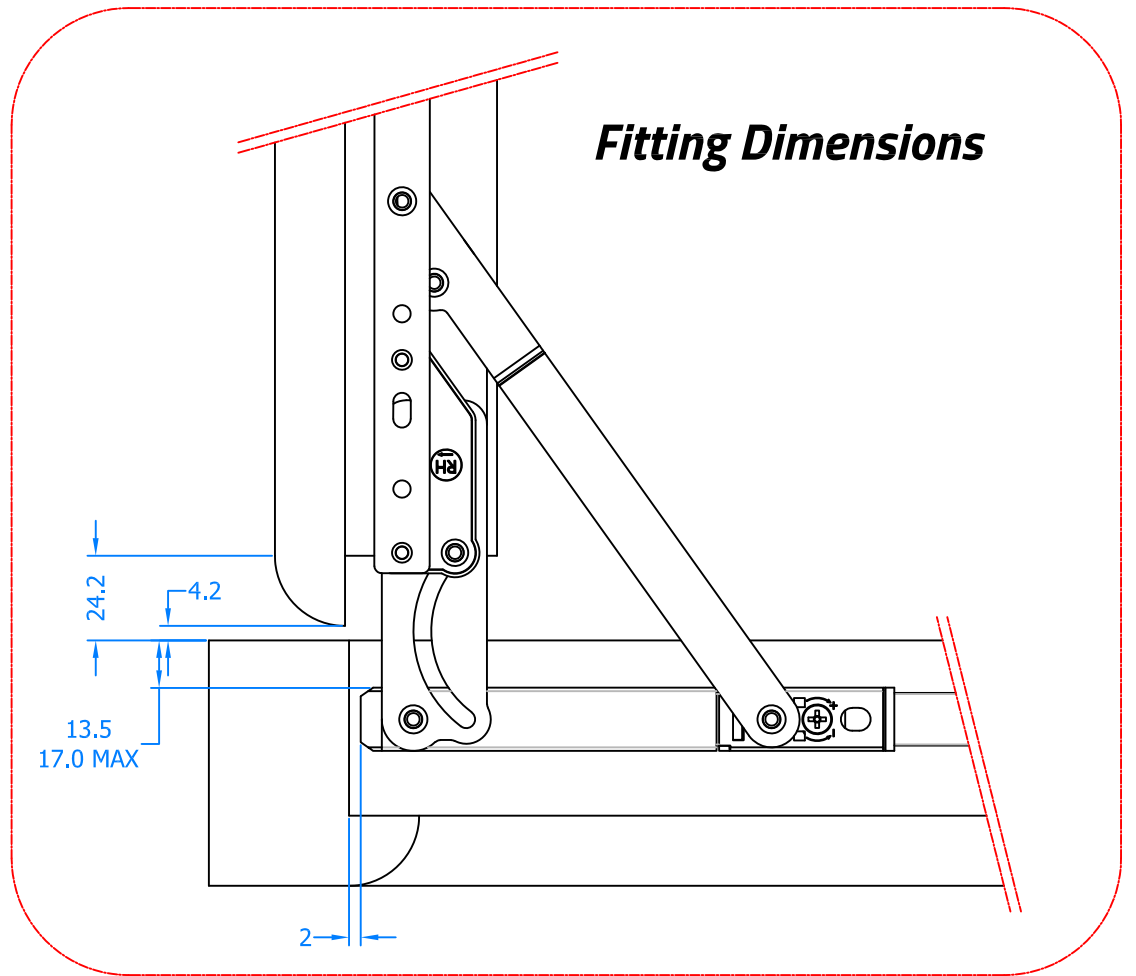
Revision	Description	Drawn	Date
A	Release	PW	06/09/18

Right Hand Shown, Left Hand Opposite.

Hinge Project Out Dimension



Fitting Dimensions



Innovating & Upgrading the Style, Performance & Longevity of External Doors & Windows Globally.

Coastal Specialist Ironmongery Ltd.

Global House, Bojea Industrial Estate, Trethowel, St Austell, PL25 5RJ
 t | 01726 871725 - f | 01726 871731 - e | sales@coastal-group.com
 w | www.coastal-group.com

Drawing Title:
DX220-SS
227mm Side Hung Sumo Baby

Product Range:
Non Egress Friction Hinge

Additional Info: **SIDE HUNG**

Date Drawn: 06/09/2018

Drawn By: Phil Walklett


Part Number: **DX220-SS**

File Name: CG-DX220-SS.dwg

Revision: **A**

Drawing Scale: Not to Scale

Sheet Number: 1 of 1

THIRD ANGLE PROJECTION
 This drawing and specification are the property of Coastal, they are issued in strict confidence and shall not be reproduced, copied or used without written permission.