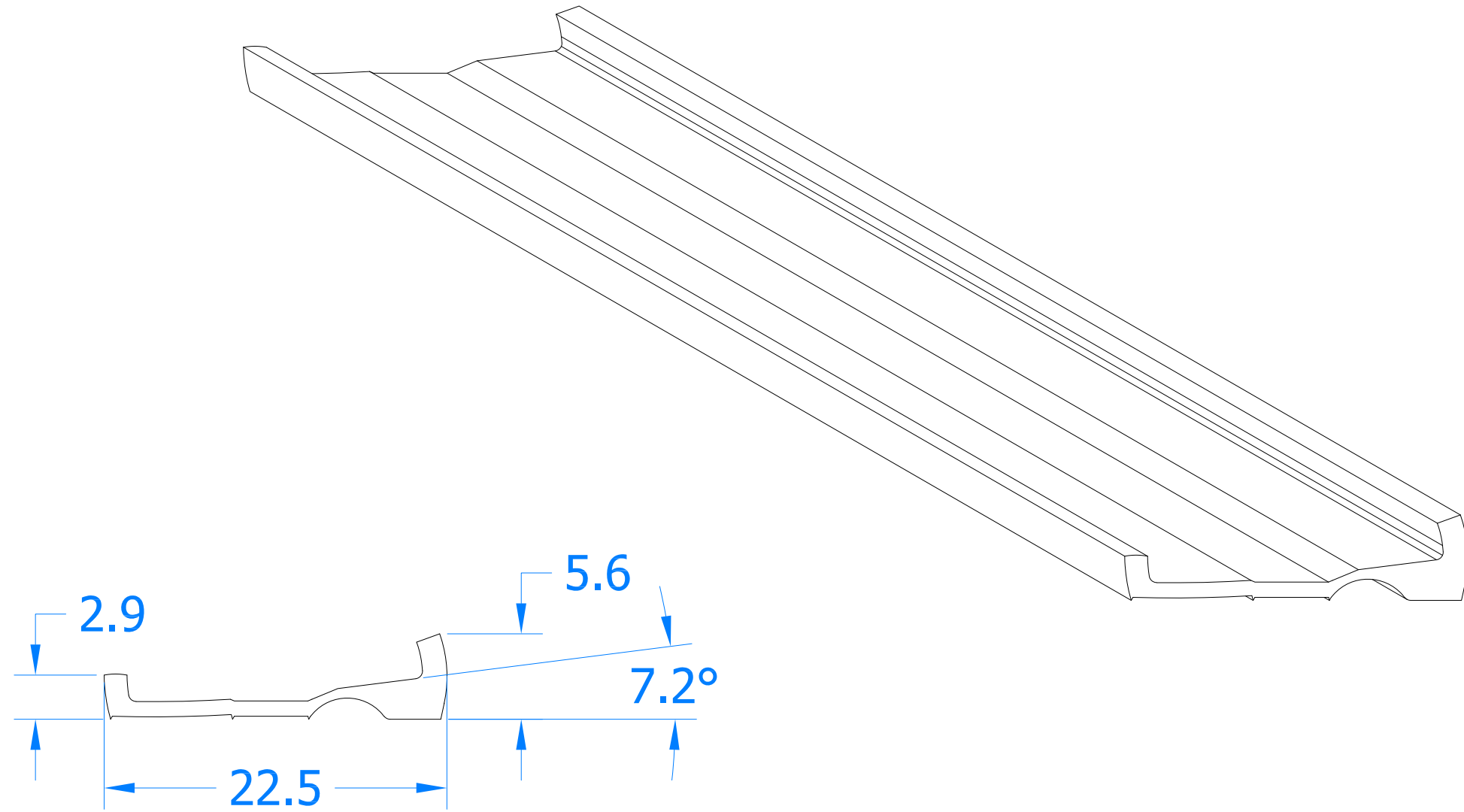


REVISION HISTORY

Revision	Description	Drawn	Date
A	Release	PW	06/09/18



 **Innovating & Upgrading the Style,
Performance & Longevity of
External Doors & Windows Globally.**

Coastal Specialist Ironmongery Ltd.

Global House, Bojea Industrial Estate, Trethowel, St Austell, PL25 5RJ
t | 01726 871725 - f | 01726 871731 - e | sales@coastal-group.com
w | www.coastal-group.com

Drawing Title:
**FHP16-GR
Friction Hinge Packer**

Product Range:
All Friction Hinges

Additional Info: **SIDE HUNG
To allow the bottom hinge to sit horizontal**

Date Drawn: 06/09/2018

Drawn By: Phil Walklett

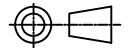
Part Number: **FHP16-GR**

File Name: CG-FHP16-GR.dwg

Revision: **A**

Drawing Scale: **Not to Scale**

Sheet Number: **1 of 1**

THIRD ANGLE PROJECTION  This drawing and specification are the property of Coastal, they are issued in strict confidence and shall not be reproduced, copied or used without written permission.