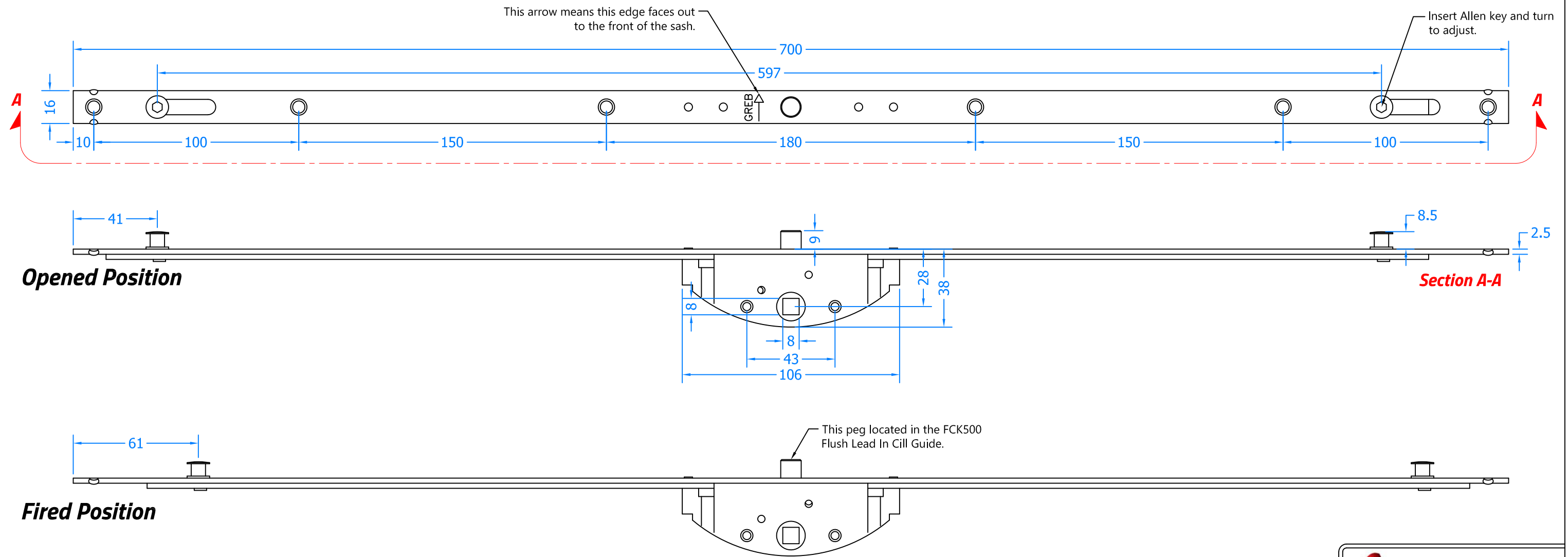


REVISION HISTORY

Revision	Description	Drawn	Date
A	Release	PW	17/09/18



Innovating & Upgrading the Style, Performance & Longevity of External Doors & Windows Globally.

Coastal Specialist Ironmongery Ltd.
 Global House, Bojea Industrial Estate, Trethowel, St Austell, PL25 5RJ
 t | 01726 871725 - f | 01726 871731 - e | sales@coastal-group.com
 w | www.coastal-group.com

Drawing Title:
FM0700-SV
Tritis Mushroom Type Espag Bolt

Product Range:
Tritis Flush System

Additional Info: 700mm Top Hung Mushroom Espag
TOP HUNG

Date Drawn: 17/09/2018

Drawn By: Phil Walklett

Part Number: **FM0700-SV**

File Name: CG-FM0700-SV.dwg

Revision: **A**

Drawing Scale: Not to Scale

Sheet Number: 1 of 1

THIRD ANGLE PROJECTION

This drawing and specification are the property of Coastal, they are issued in strict confidence and shall not be reproduced, copied or used without written permission.