

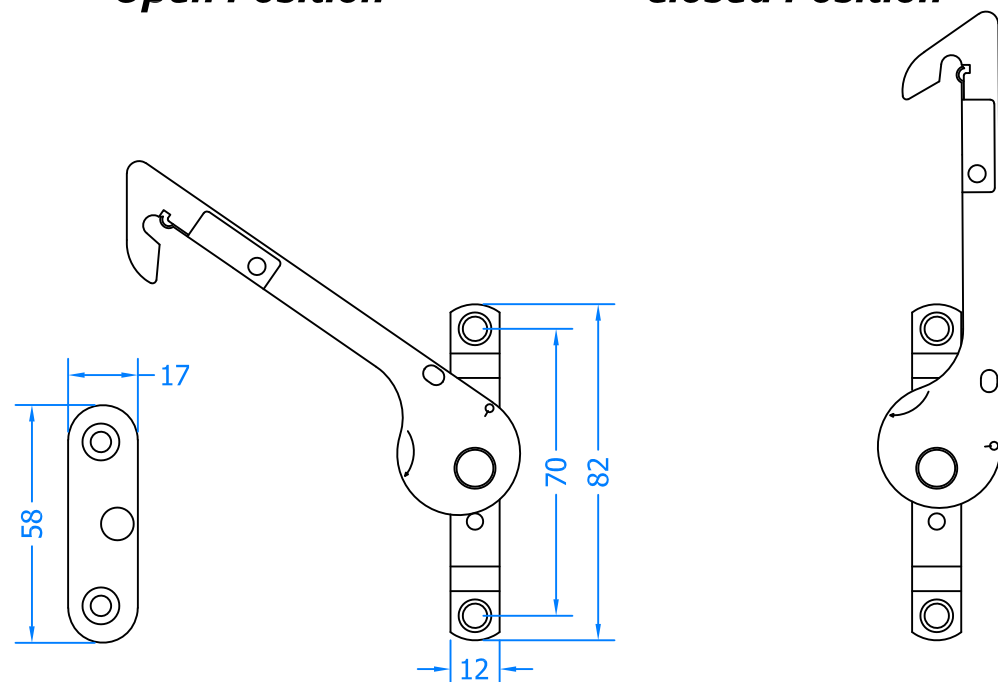
REVISION HISTORY

Revision	Description	Drawn	Date
A	Release	PW	19/9/18

Left Hand Shown, Right Hand Opposite

Open Position

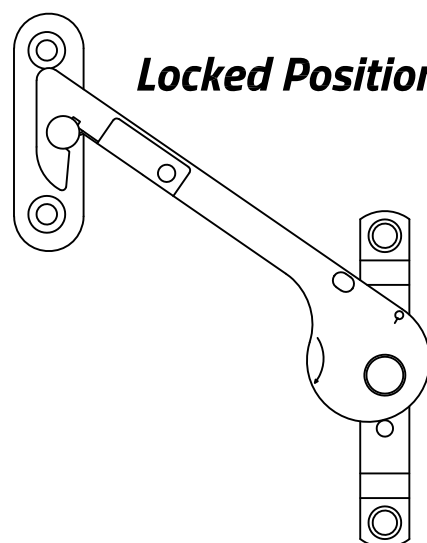
Closed Position



Restrictor Plate

Restrictor

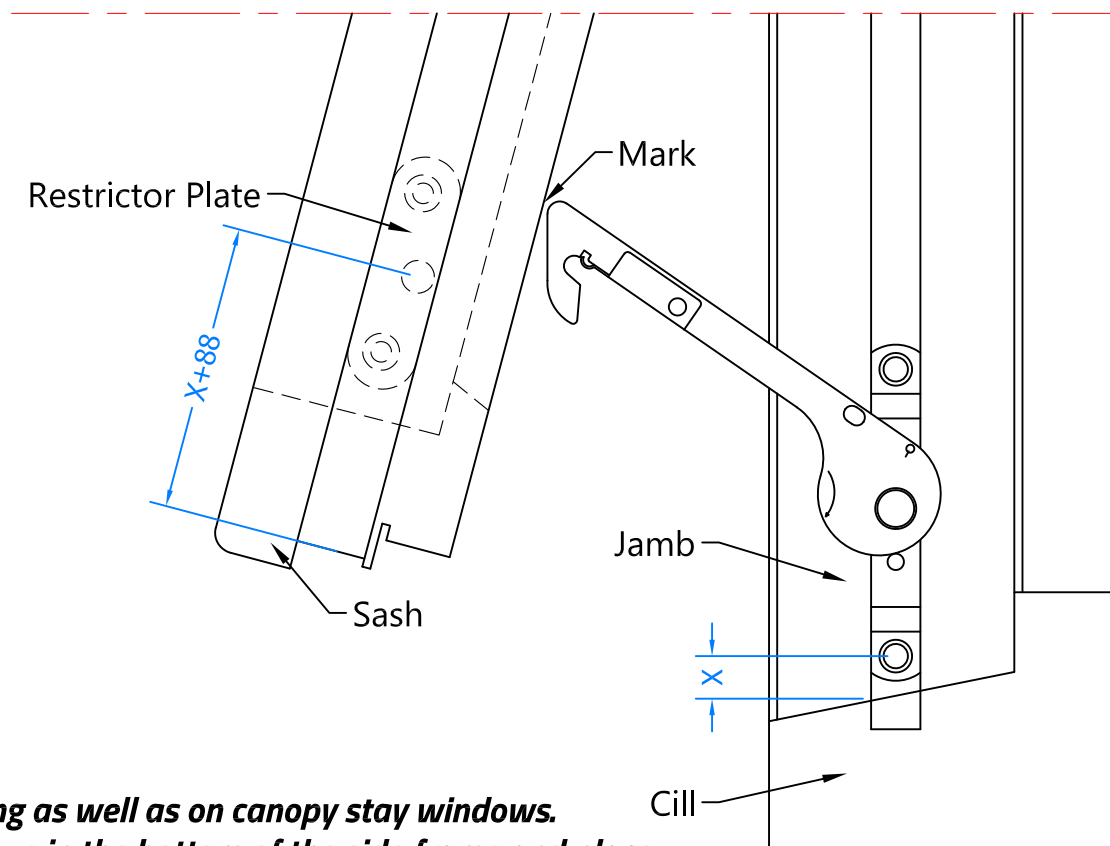
Locked Position



Top Hung Casements:
As viewed from the **OUTSIDE** a Left Hand Restrictor would go into the Left Hand Window Jamb, Right Hand would be opposite.

Side Hung Casements:
As viewed from the **OUTSIDE** a Left Hand Restrictor would go into the top of the Left Hung Window Head, Right Hand would be opposite.

Fitting Instructions



Maintenance:

The fittings are not to be painted. Test the operation from time to time. When fitting - lubricate the pivot/movable metal parts of the mechanism while activating repeatedly. Hereafter lubricate minimum twice a year. Do not lubricate the aluminium rails.

Fitting Instructions:


This restrictor can be used on top hung as well as on canopy stay windows. Place the restrictor in the profile groove in the bottom of the side frame and place the restrictor plate in the profile groove in the side of the sash as shown above. The restrictor can also be used on a side hung window, in this case place in the top of the frame and the restrictor plate in the profile groove in the top of the sash only.

X dimension is optional, we suggest 6mm as a minimum. By using larger X dimension the ventilation opening will be extended.

IMPORTANT: The restrictor plate must be fitted in the profile groove of the sash. Use the mark shown on the restrictor arm as a location point for the pivot catch.

Operating Instructions:

1. Open the window until the restrictor is in position.
2. Draw the sash 20mm Backwards.
3. Press the restrictor in the direction of the arrow and open the window.
4. When the window is closed the restrictor re-engages automatically.

 **Innovating & Upgrading the Style, Performance & Longevity of External Doors & Windows Globally.**

Coastal Specialist Ironmongery Ltd.
Global House, Bojea Industrial Estate, Trethewel, St Austell, PL25 5RJ
t | 01726 871725 - f | 01726 871731 - e | sales@coastal-group.com
w | www.coastal-group.com

Drawing Title:
FTR36-LH-SV
Tritus Top Hung Safety Restrictor

Product Range:
Tritus Flush System

Additional Info: **Top & Side Hung Casements**
Left Hand Shown, Right Hand Opposite

Date Drawn: 19/09/2018

Drawn By: Phil Walklett

Part Number: FTR36-LH-SV / FTR36-RH-SV

File Name: CG-FTR36-SV.dwg

Revision: A

Drawing Scale: Not to Scale

Sheet Number: 1 of 1



This drawing and specification are the property of Coastal, they are issued in strict confidence and shall not be reproduced, copied or used without written permission.