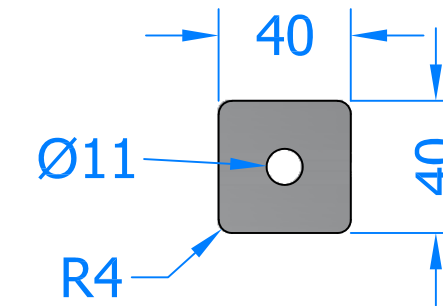
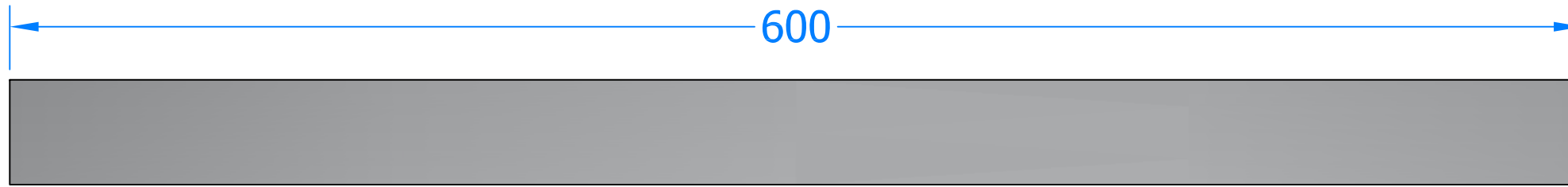


REVISION HISTORY

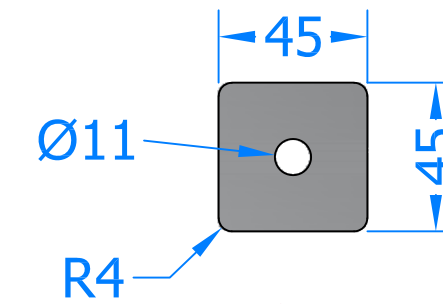
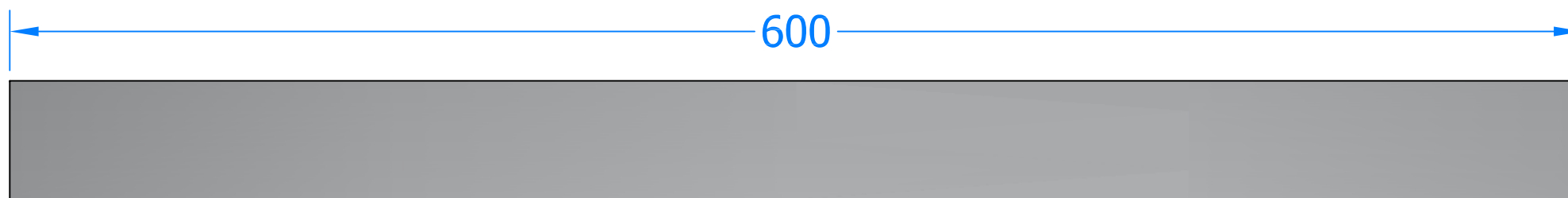
Revision	Description	Drawn	Date
A	Release	PW	24/09/18

LW40



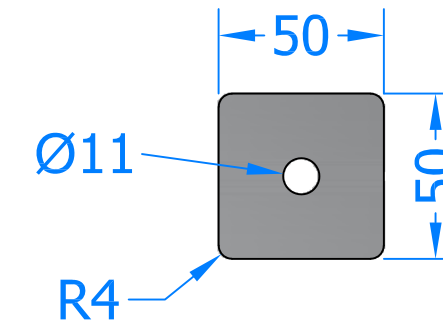
Note: Ø11mm hole runs all the way through.

LW45

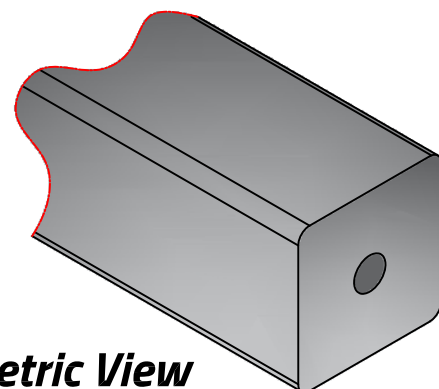


Note: Ø11mm hole runs all the way through.

LW50



Note: Ø11mm hole runs all the way through.



Isometric View

Innovating & Upgrading the Style, Performance & Longevity of External Doors & Windows Globally.

Coastal Specialist Ironmongery Ltd.

Global House, Bojea Industrial Estate, Trethowel, St Austell, PL25 5RJ
 t | 01726 871725 - f | 01726 871731 - e | sales@coastal-group.com
 w | www.coastal-group.com

Drawing Title:
LW40, LW45 & LW50 Sliding Sash Lead Weight Bars

Product Range:
Sliding Sash

Additional Info:

Date Drawn: 24/09/2018

Drawn By: Phil Walklett

Part Number: LW40, LW45 & LW50

File Name: CG-LW40-45-50.dwg

Revision: A

Drawing Scale: Not to Scale

Sheet Number: 1 of 1

THIRD ANGLE PROJECTION

This drawing and specification are the property of Coastal, they are issued in strict confidence and shall not be reproduced, copied or used without written permission.

