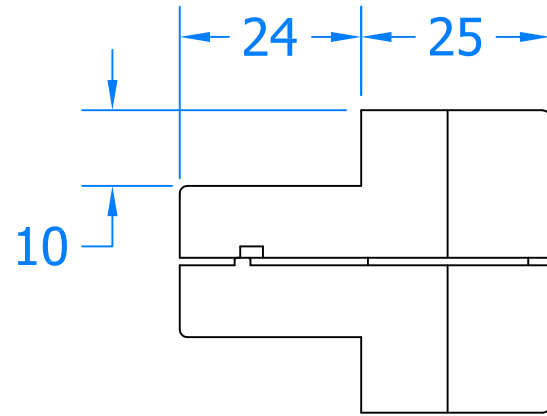
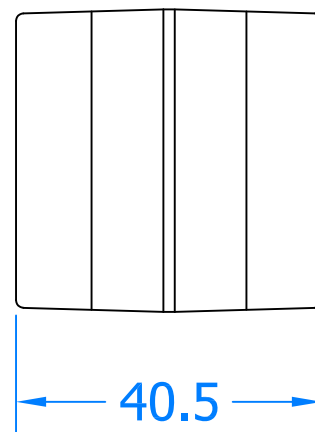
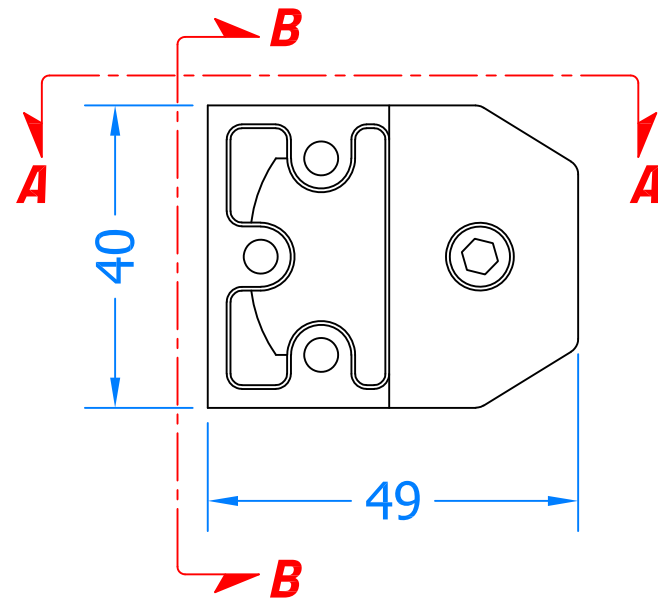


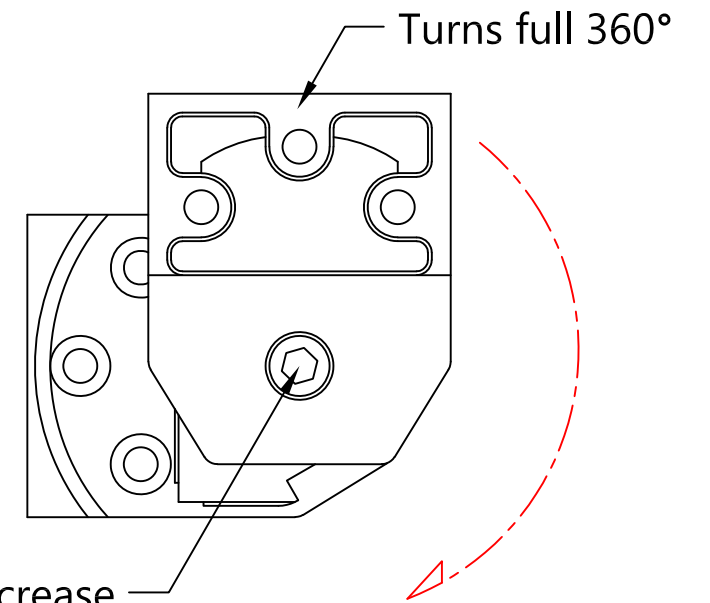
REVISION HISTORY			
Revision	Description	Drawn	Date
A	Release	PW	08/10/18



Section A-A



Section B-B



Turn this to increase/decrease the amount of friction.

Innovating & Upgrading the Style, Performance & Longevity of External Doors & Windows Globally.

Coastal Specialist Ironmongery Ltd.

Global House, Bojea Industrial Estate, Trethowel, St Austell, PL25 5RJ
t | 01726 871725 - f | 01726 871731 - e | sales@coastal-group.com
w | www.coastal-group.com

Drawing Title:

**PV12036
Mortice Pivot Sets**

Product Range:

Window Hardware

Additional Info: For use on round timber windows
Max sash weight 40kg

Date Drawn: 08/10/2018

Drawn By: Phil Walklett

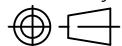
Part Number: PV12036

File Name: CG-PV12036.dwg

Revision: A

Drawing Scale: 1:1@A3

Sheet Number: 1 of 1

THIRD ANGLE PROJECTION  This drawing and specification are the property of Coastal, they are issued in strict confidence and shall not be reproduced, copied or used without written permission.