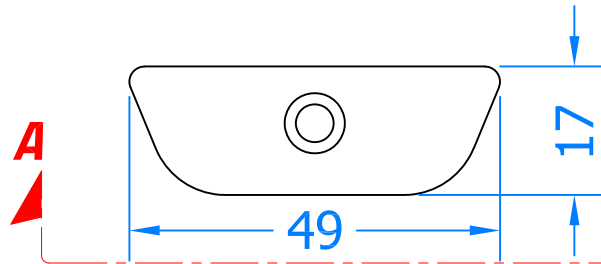


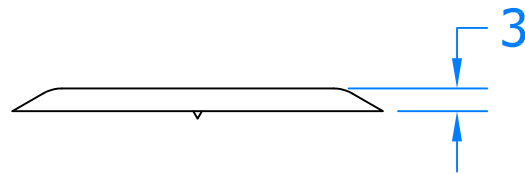
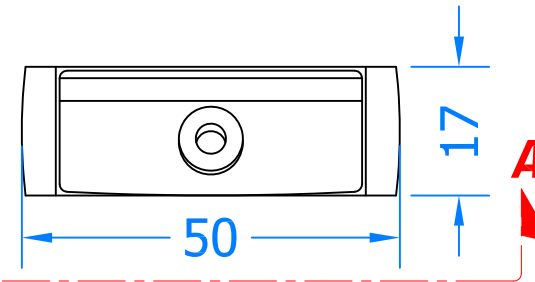
### REVISION HISTORY

Revision	Description	Drawn	Date
A	Release	PW	08/10/18

## Sash Lifter Striker Plate

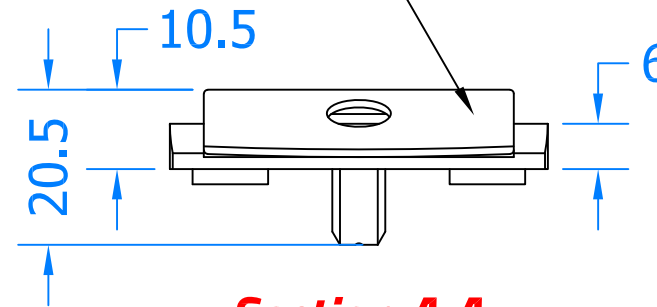


## Sprung Sash Lifter



**Section A-A**

This part is sprung



**Section A-A**

	Innovating & Upgrading the Style, Performance & Longevity of External Doors & Windows Globally.
	<b>Coastal Specialist Ironmongery Ltd.</b> Global House, Bojea Industrial Estate, Trethowel, St Austell, PL25 5RJ t   01726 871725 - f   01726 871731 - e   sales@coastal-group.com w   www.coastal-group.com
Drawing Title: <b>RUB18</b> <b>Sprung Run Up Sash Lifter</b>	
Product Range: <b>Window Hardware</b>	
Additional Info: <b>Lifter &amp; Striker Plate</b>	
Date Drawn: 08/10/2018	
Drawn By: Phil Walklett	
Part Number: <b>RUB18</b>	
File Name: CG-RUB18.dwg	
Revision: <b>A</b>	
Drawing Scale: 1:1@A4	
Sheet Number: 1 of 1	
THIRD ANGLE PROJECTION 	This drawing and specification are the property of Coastal, they are issued in strict confidence and shall not be reproduced, copied or used without written permission.