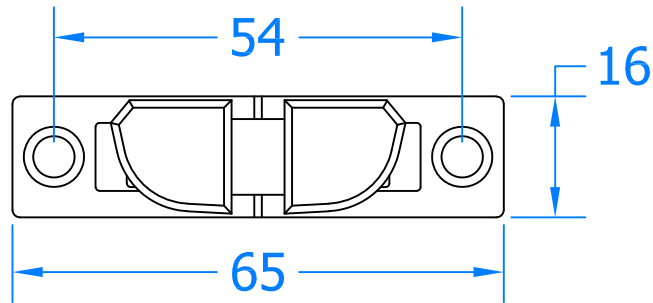


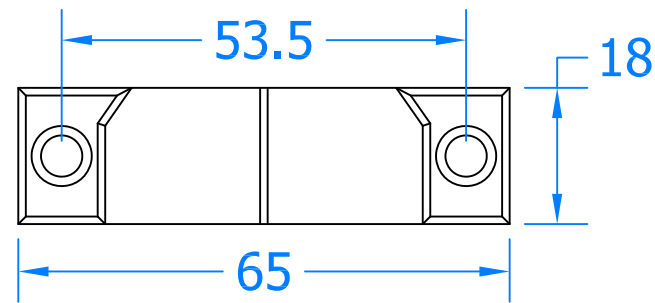
REVISION HISTORY

Revision	Description	Drawn	Date
A	Release	PW	09/10/18

CX-SC60-SV

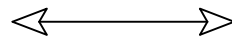


CX-SC62-SV

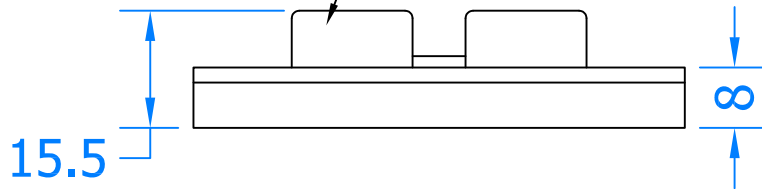


A

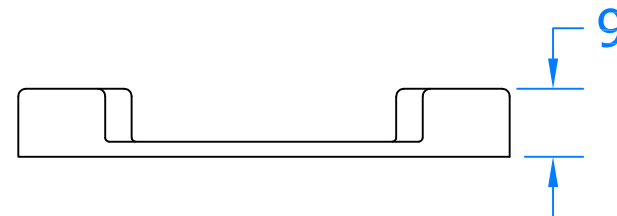
A



This suppressor moves and compresses



Section A-A



Section A-A

	Innovating & Upgrading the Style, Performance & Longevity of External Doors & Windows Globally.
	Coastal Specialist Ironmongery Ltd. Global House, Bojea Industrial Estate, Trethowel, St Austell, PL25 5RJ t 01726 871725 - f 01726 871731 - e sales@coastal-group.com w www.coastal-group.com
Drawing Title: SC65 Sash Compressor Kit	
Product Range: Window Hardware	
Additional Info: Kit consists of CX-SC60-SV & CX-SC62-SV.	
Date Drawn: 09/10/2018	
Drawn By: Phil Walklett	
Part Number: SC65	
File Name: CG-SC65.dwg	
Revision: A	
Drawing Scale: 1:1@A4	
Sheet Number: 1 of 1	
THIRD ANGLE PROJECTION 	This drawing and specification are the property of Coastal, they are issued in strict confidence and shall not be reproduced, copied or used without written permission.