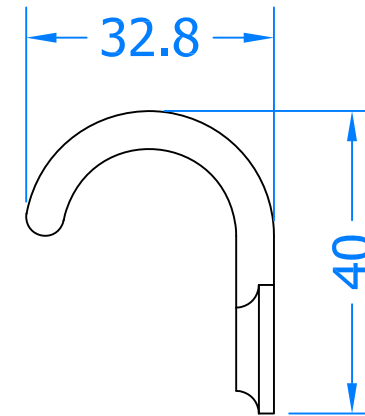
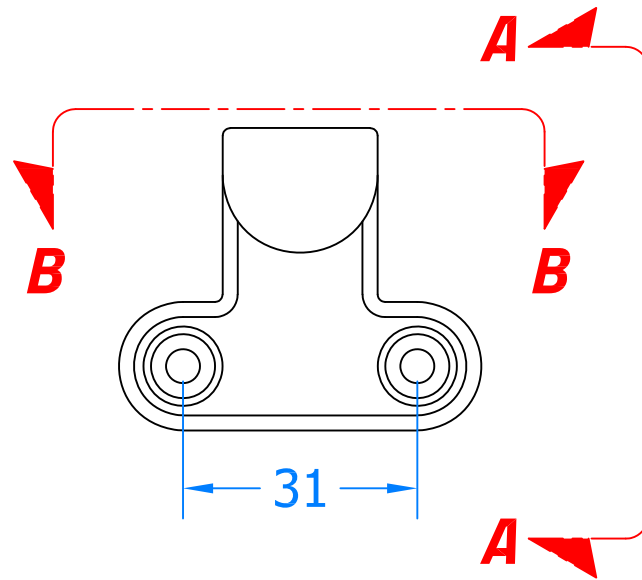
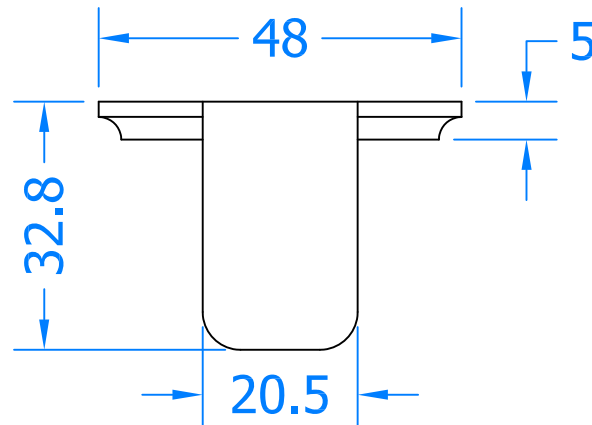


REVISION HISTORY

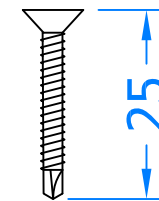
Revision	Description	Drawn	Date
A	Release	PW	09/10/18




Section A-A



Section B-B



 *Innovating & Upgrading the Style,
Performance & Longevity of
External Doors & Windows Globally.*

Coastal Specialist Ironmongery Ltd.

Global House, Bojea Industrial Estate, Trethowel, St Austell, PL25 5RJ
t | 01726 871725 - f | 01726 871731 - e | sales@coastal-group.com
w | www.coastal-group.com

Drawing Title:

**SL100
Standard Pressed Sash Lift**

Product Range:

Sliding Sash Hardware

Additional Info:

Date Drawn: 09/10/2018

Drawn By: Phil Walklett

Part Number: **SL100**

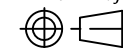
File Name: CG-SL100.dwg

Revision: **A**

Drawing Scale: 1:1@A4

Sheet Number: 1 of 1

THIRD ANGLE PROJECTION



*This drawing and specification are
the property of Coastal, they are
issued in strict confidence and
shall not be reproduced, copied or
used without written permission.*