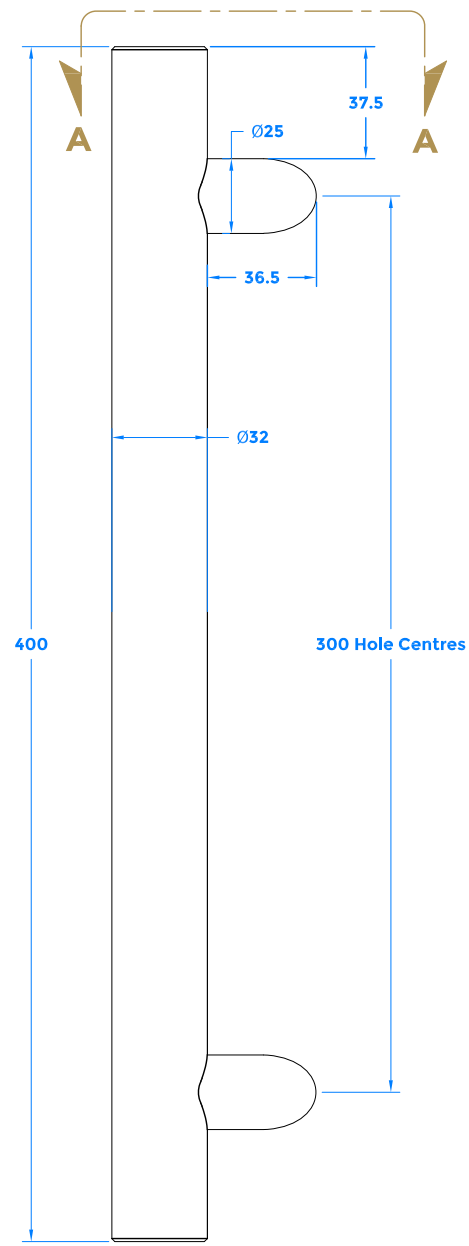
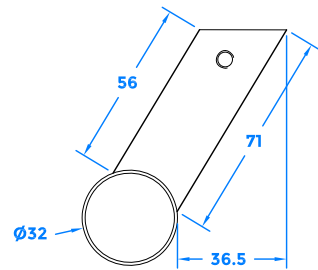


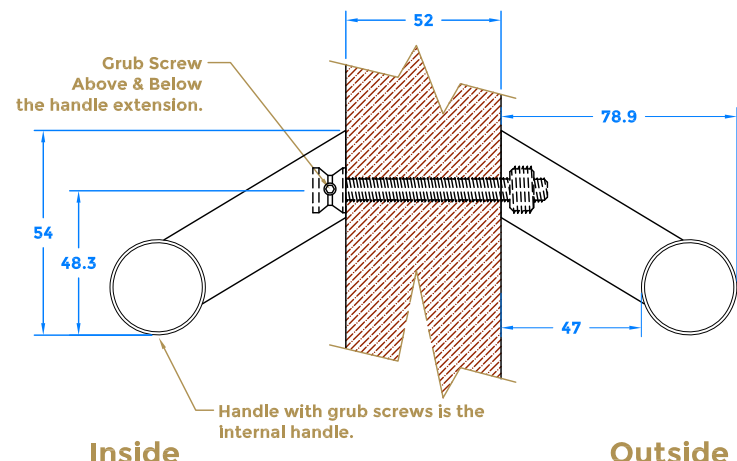
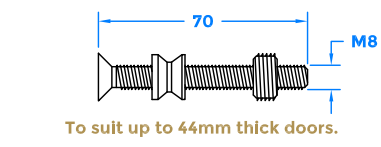
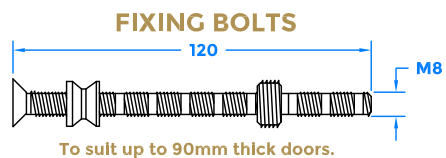
Drawing Revision History		
Revision	Description/ Change	Date
A	Release	21/10/24



HAB66-400-SSS

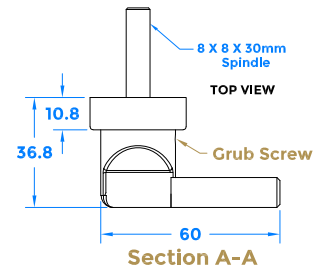


Section A-A

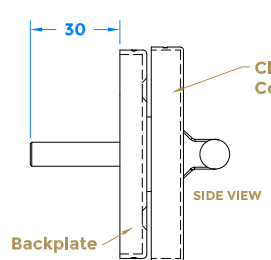


Inside Outside
Assembled View (Back to Back)

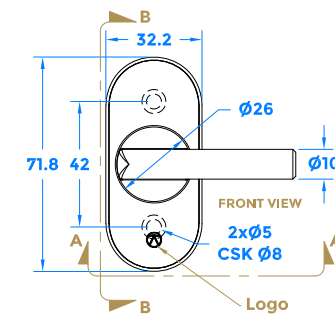
No fixing screws are supplied with this lever.



Section A-A

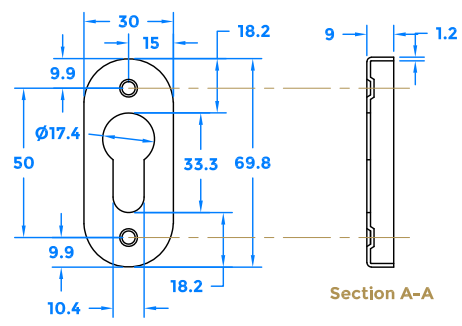


Section B-B



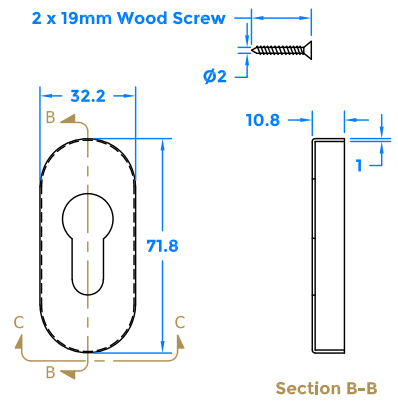
FRONT VIEW

KM250-SSS



Section A-A

KM045B-SSS



Section B-B

Logo Position Section C-C



coastal-group.com
Shaping the future.

Part Number / Drawing Title:
Offset Round T Bar & Flush Pull for Straight Sliding Doors

Product Range:
Straight Sliding Doors

Material:

Additional Info:

Date Drawn: 21/10/24

Drawn By: Roger Phillips

Part Number: KM850-PAIR-SSS

File Name: CG-KM850-PAIR-SSS.dwg

Revision: A

Drawing Scale: Not to Scale

Sheet Number: 1 of 1

THIRD ANGLE PROJECTION

This drawing and specification are the property of Coastal Specialist Ironmongery Ltd, they are issued in strict confidence and shall not be reproduced, copied or used without written permission.
E&OE - All dimensions are specified in mm.