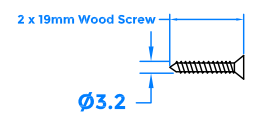
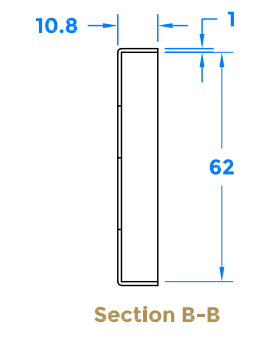
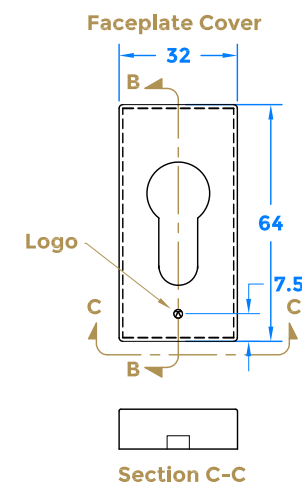
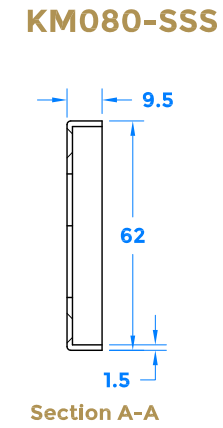
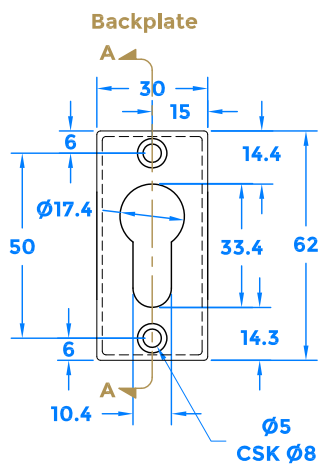
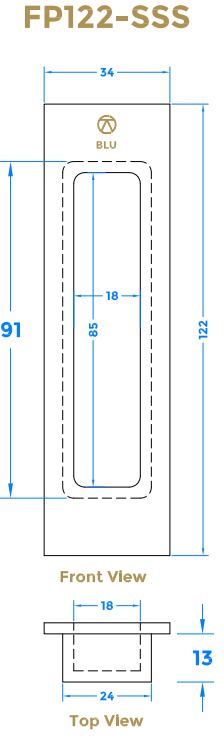
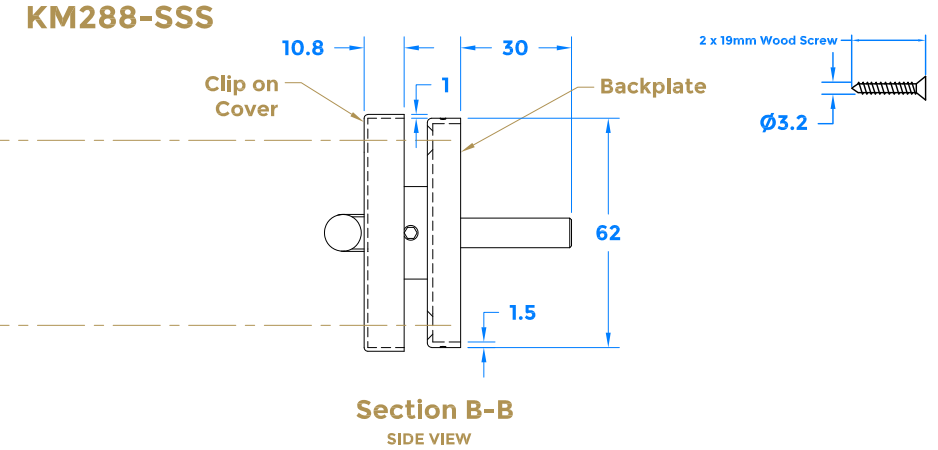
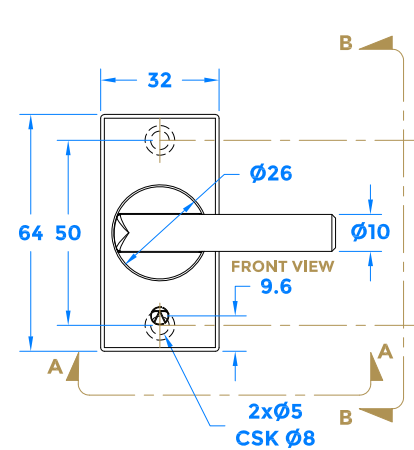
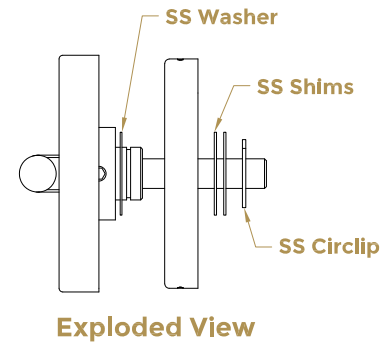
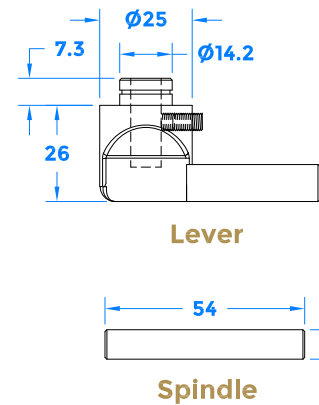
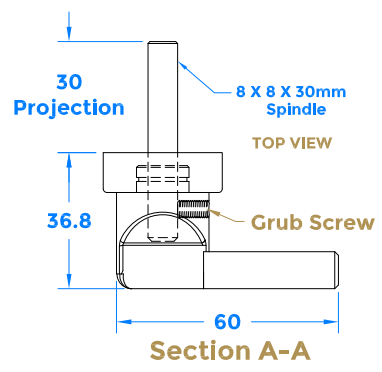
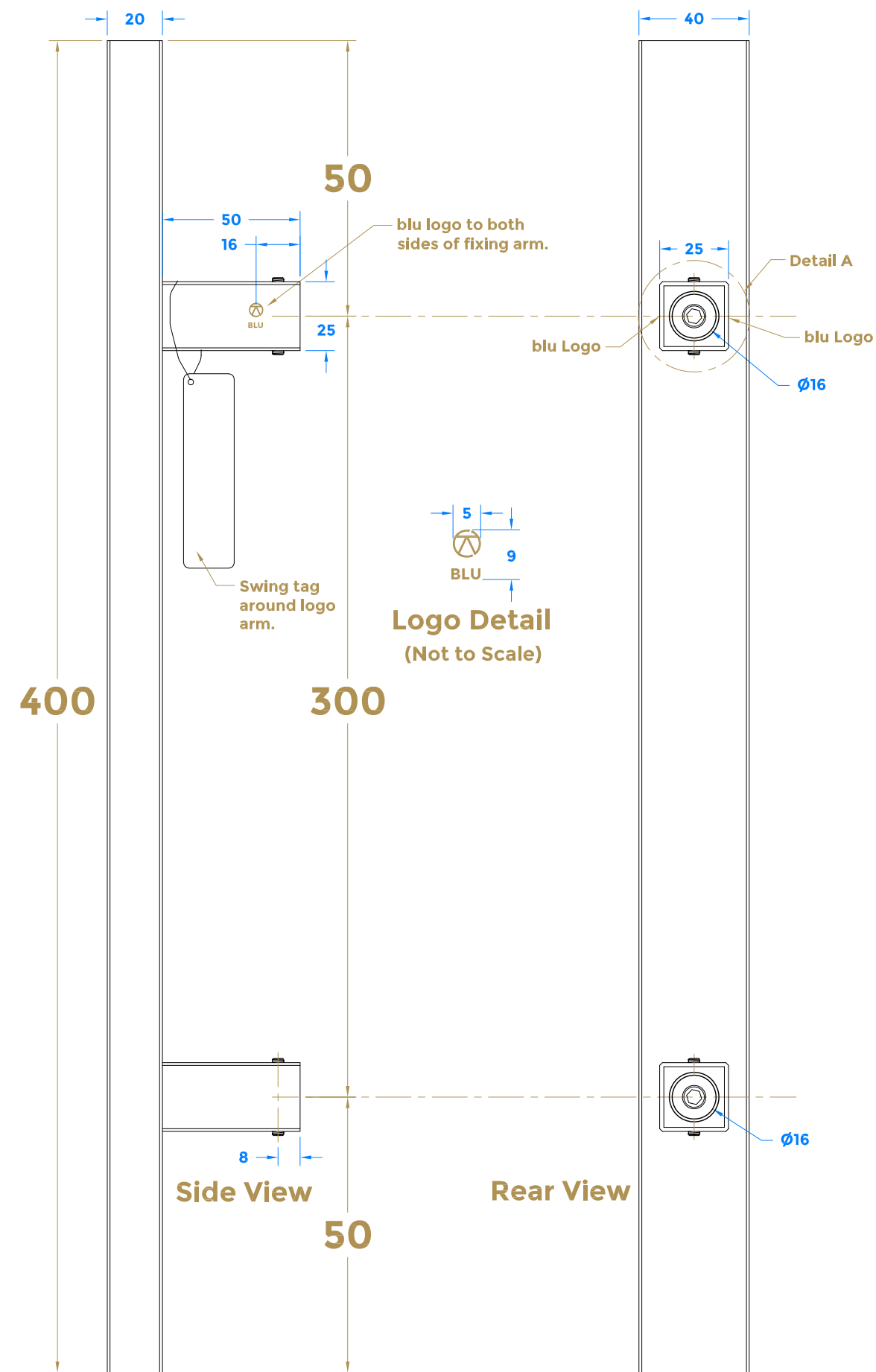


Drawing Revision History		
Revision	Description/ Change	Date
A	Release	21/10/24



coastal-group.com
Shaping the future.

COASTAL

Part Number / Drawing Title:
**Inline Rectangular
T Bar & Flush Pull Handle**

Product Range:
Straight Sliding Doors

Material:

Additional Info:

Date Drawn: 21/10/2024
Drawn By: Roger Phillips
Part Number: KM853-SING-SSS
File Name: CG-KM853-SING-SSS.dwg
Revision: A
Drawing Scale: Not to Scale
Sheet Number: 1 of 1

THIRD ANGLE PROJECTION

This drawing and specification are the property of Coastal Specialist Ironmongery Ltd, they are issued in strict confidence and shall not be reproduced, copied or used without written permission.
E80E - All dimensions are specified in mm.