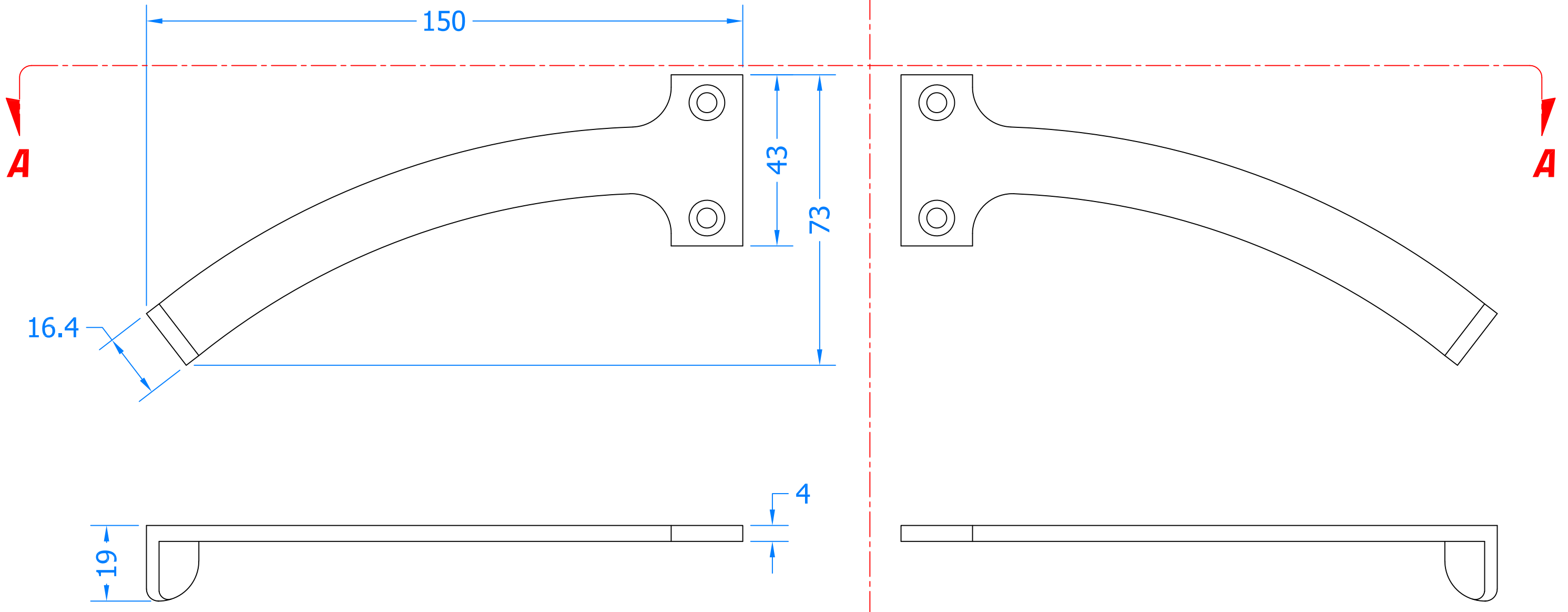


REVISION HISTORY			
Revision	Description	Drawn	Date
A	Release	PW	11/10/18

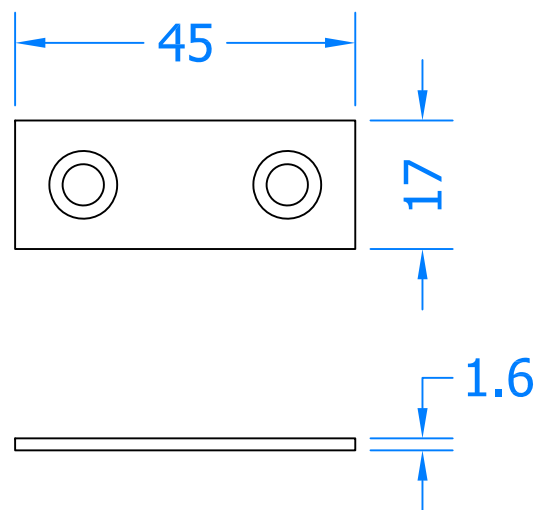
Left Hand Stay (Viewed from Inside)

Right Hand Stay (Viewed from Inside)

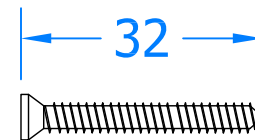


Section A-A

Striker Plate (for Sash)



Fixing Screws x 8

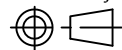


Innovating & Upgrading the Style, Performance & Longevity of External Doors & Windows Globally.

Coastal Specialist Ironmongery Ltd.

Global House, Bojea Industrial Estate, Trethowel, St Austell, PL25 5RJ
 t | 01726 871725 - f | 01726 871731 - e | sales@coastal-group.com
 w | www.coastal-group.com

Drawing Title:	
DK7 6" Quadrant Arm Stay	
Product Range:	
Casement Window Hardware	
Additional Info:	
Date Drawn:	11/10/2018
Drawn By:	Phil Walklett
Part Number:	DK7
File Name:	CG-DK7.dwg
Revision:	A
Drawing Scale:	1:1@A3
Sheet Number:	1 of 1

THIRD ANGLE PROJECTION
 This drawing and specification are the property of Coastal, they are issued in strict confidence and shall not be reproduced, copied or used without written permission.