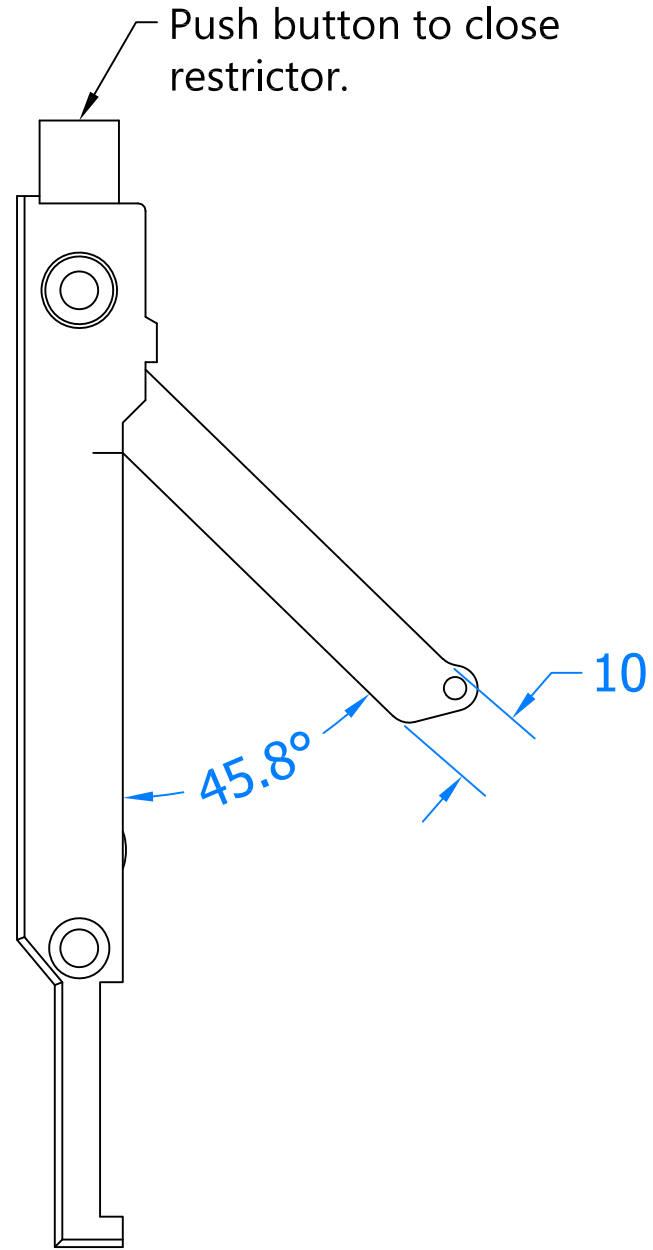
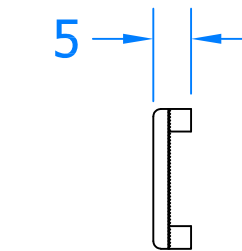
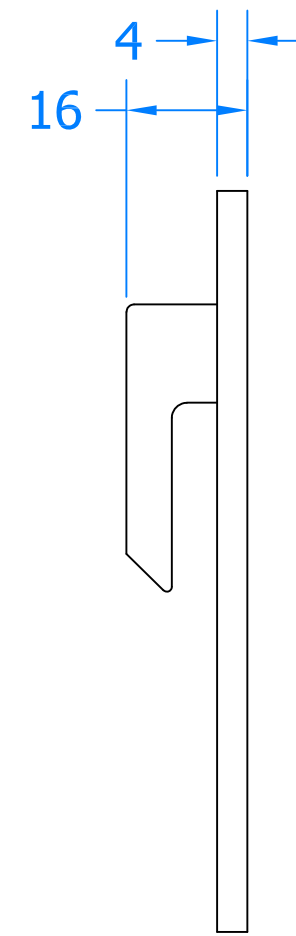
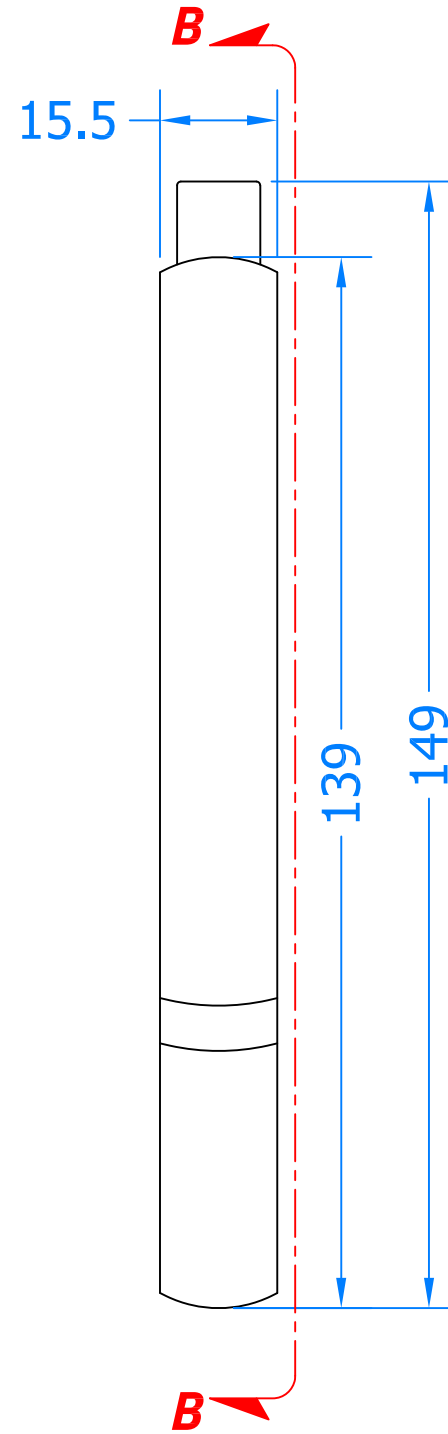
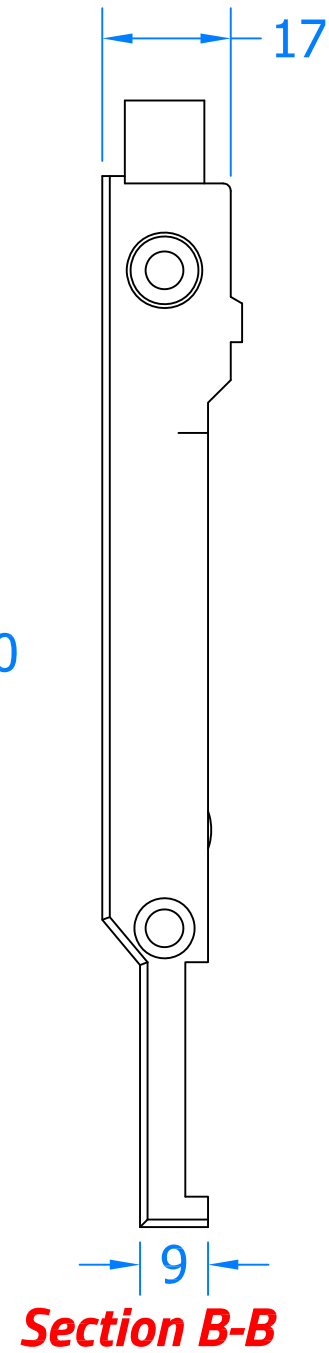


REVISION HISTORY			
Revision	Description	Drawn	Date
A	Release	PW	15/10/18

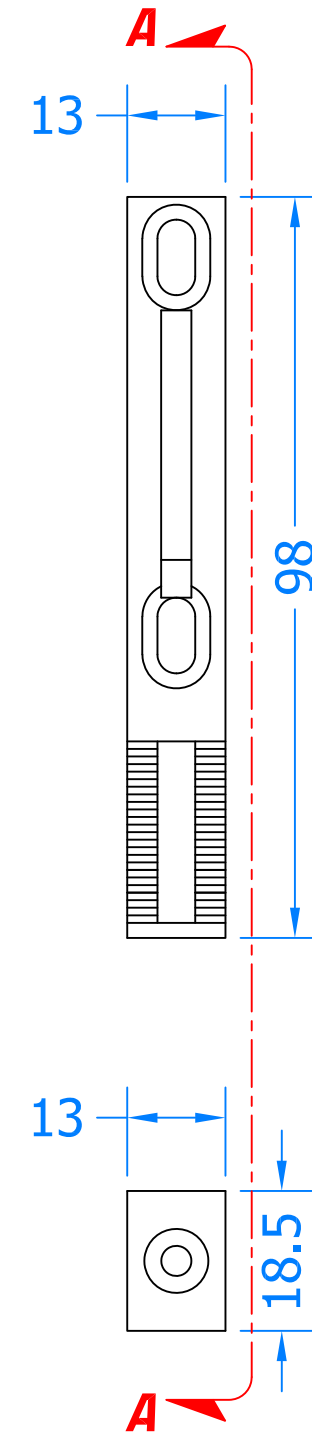
Open Position



Closed Position



Section A-A



 **Innovating & Upgrading the Style, Performance & Longevity of External Doors & Windows Globally.**

Coastal Specialist Ironmongery Ltd.
 Global House, Bojea Industrial Estate, Trethowel, St Austell, PL25 5RJ
 t | 01726 871725 - f | 01726 871731 - e | sales@coastal-group.com
 w | www.coastal-group.com

Drawing Title:
RS10
Surface Fit Window Restrictor

Product Range:
Casement Window Hardware

Additional Info:

Date Drawn: 15/10/2018

Drawn By: Phil Walklett

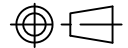
Part Number: **RS10**

File Name: CG-RS10.dwg

Revision: **A**

Drawing Scale: 1:1@A3

Sheet Number: 1 of 1

THIRD ANGLE PROJECTION
 This drawing and specification are the property of Coastal, they are issued in strict confidence and shall not be reproduced, copied or used without written permission.