

## DETACHABLE RESTRICTOR

### TYPE

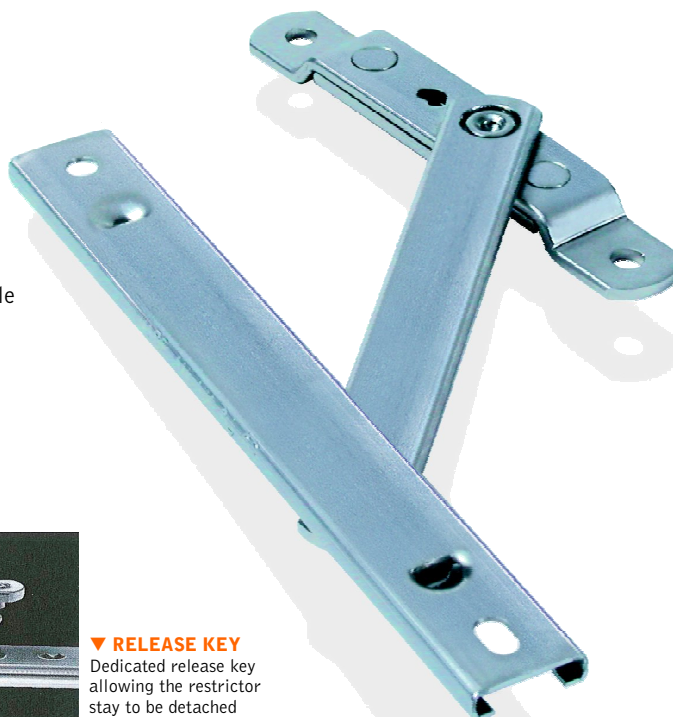
### HEAVY DUTY KEY RELEASE RESTRICTOR

### BENEFIT

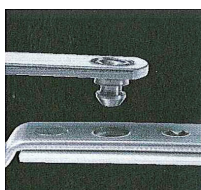
Key release restrictor stay for use with Sterling & Storm Balanced heavy duty hinges

- Tested to BS6375-2
- Can withstand a force in excess of 1000N when opened at the restricted position
- Austenitic 304\* stainless steel for enhanced corrosion resistance
- Compatible with all Securistyle heavy duty hinges
- 12 year guarantee (details available on request)

**12**  
YEAR GUARANTEE

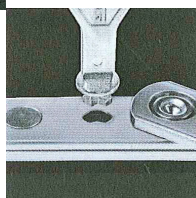


▼ **HEAVY DUTY FRICTION SLIDER**  
Stainless steel/ plastic composite slider to give maximum strength yet perform with the smoothest of action



▼ **RELEASE KEY**  
Dedicated release key allowing the restrictor stay to be detached

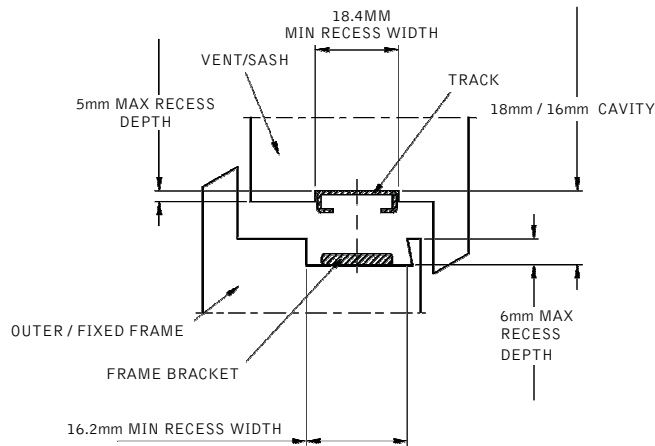
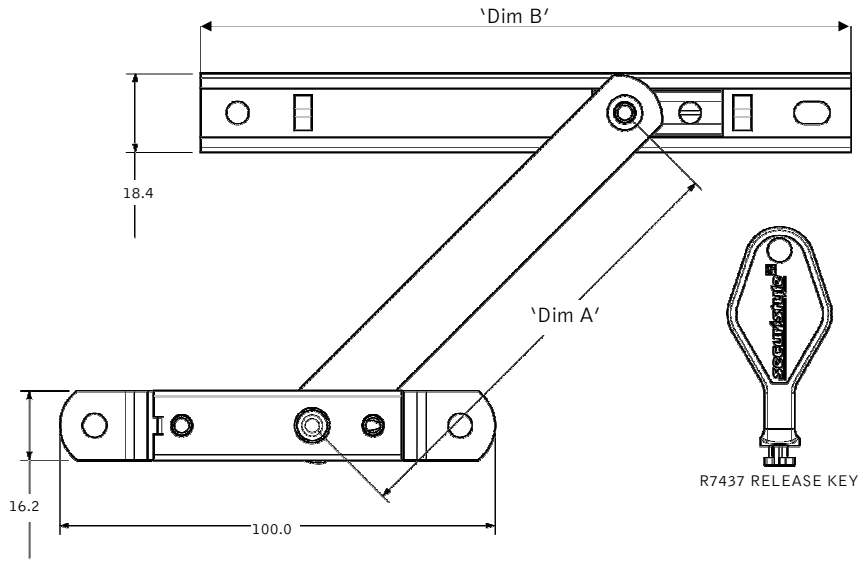
▲ **LOCKING PIN**  
Unique locking pin design allowing simple detachment / engagement of the restrictor stay



austenitic  
**304**

\* Austenitic (was 304) stainless steel to BS EN 10088-2 Grade 1.4301 for enhanced corrosion resistance

## PRODUCT SPECIFICATIONS



Part Number	Description	Dim 'A' (in/mm)	Dim 'B' (in/mm)	Boxed Qty
SDR4	4" Detachable Restrictor Assembly	4/101.6	5.9/150	50
SDR6	6" Detachable Restrictor Assembly	6/152.4	7.87/200	50
SDR8	8" Detachable Restrictor Assembly	8/203.2	7.87/200	50
SDR10	10" Detachable Restrictor Assembly	10/254	9.84/250	50
R7347	Release Key			10

### PRODUCT SPECIFICATION

- Easy to fit no routing required
- Suitable for 16mm to 18mm cavity height
- Non handed product
- Keys are sold separately

**12**  
YEAR GUARANTEE

austenitic  
**304**