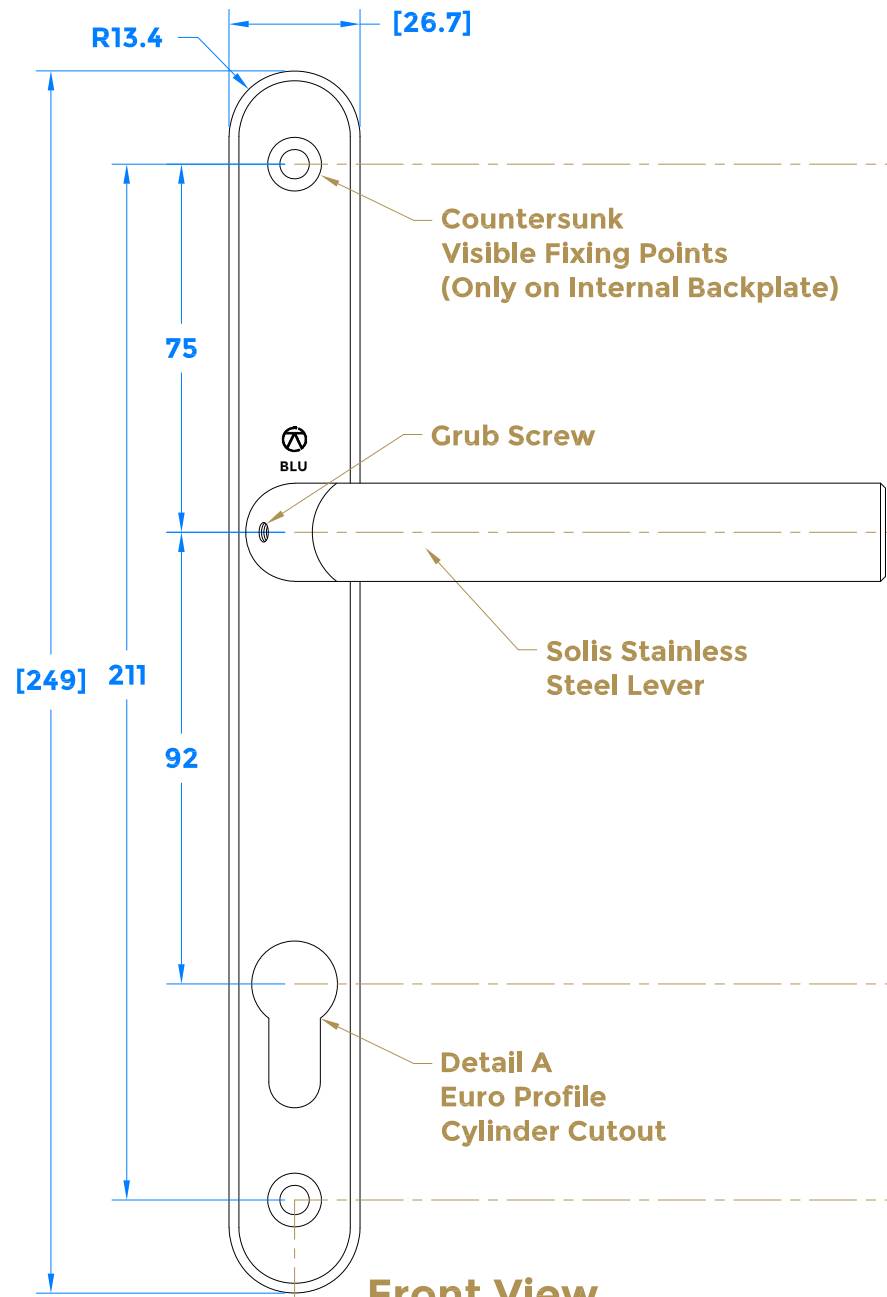


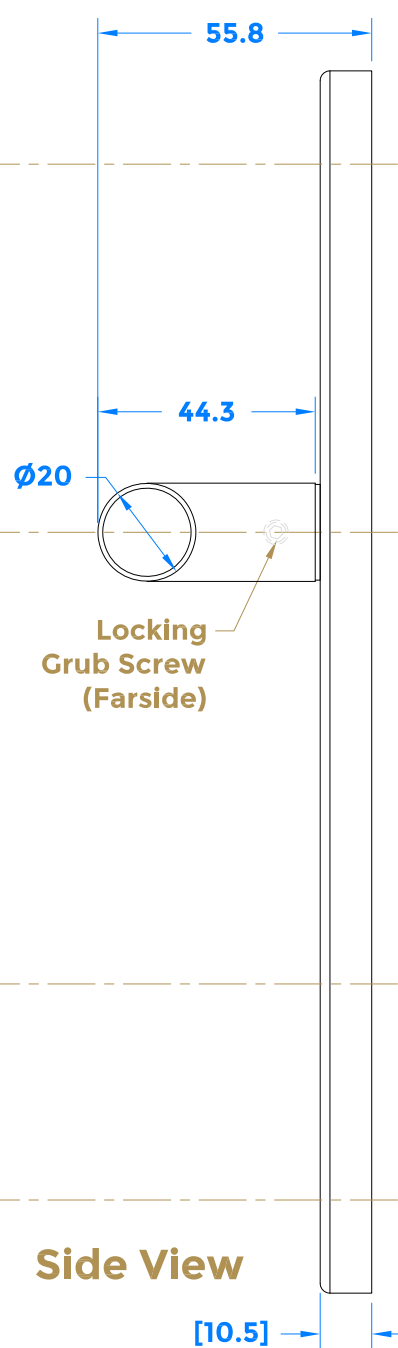
# Internal Lever Shown

## Section B-B

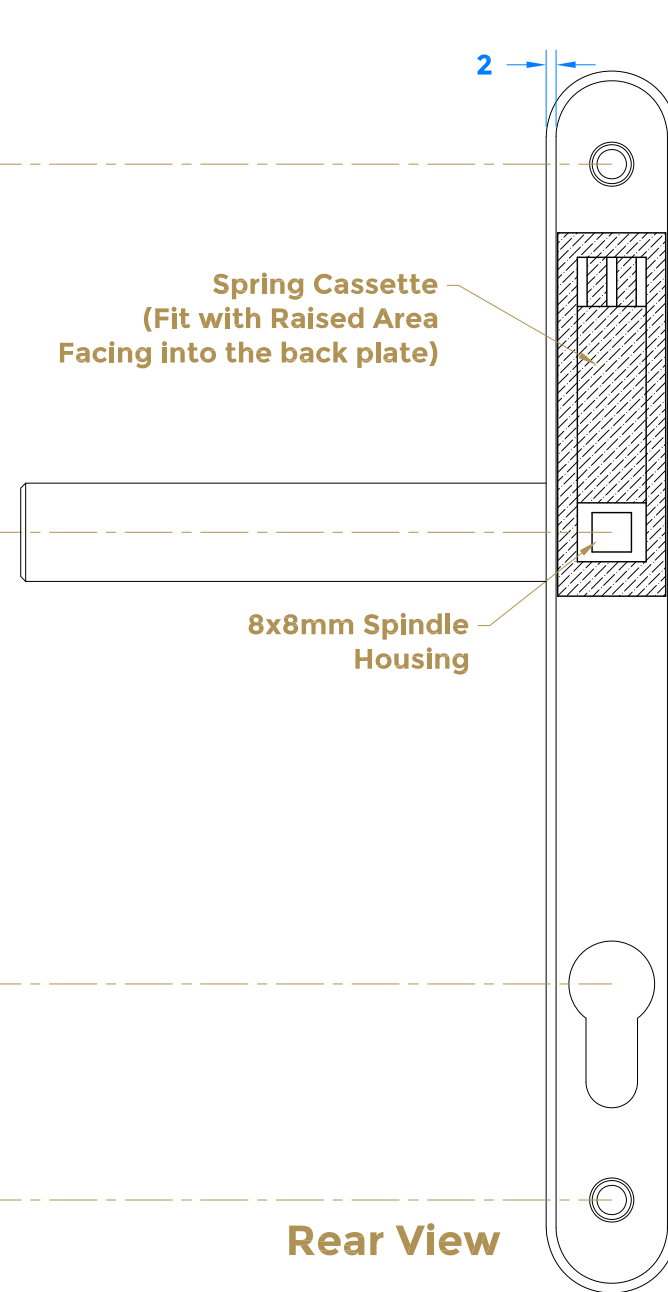
Drawing Revision History		
Revision	Description/ Change	Date
A	Released	02/09/25



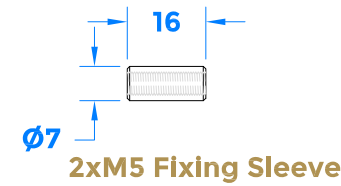
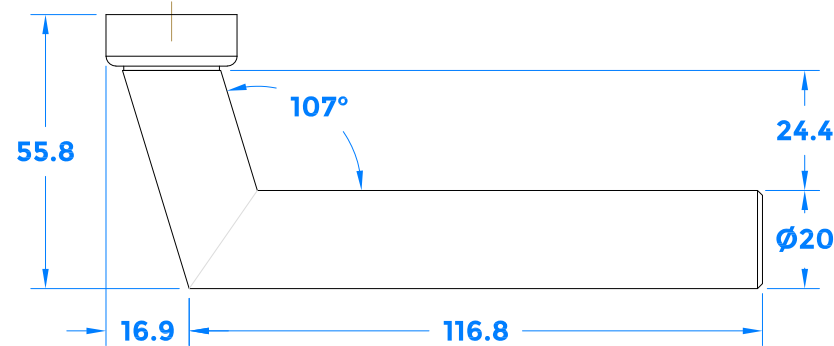
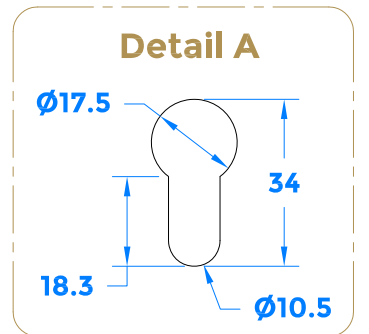
Front View



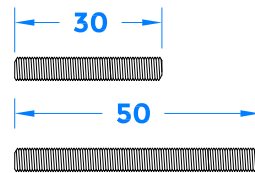
Side View



Rear View

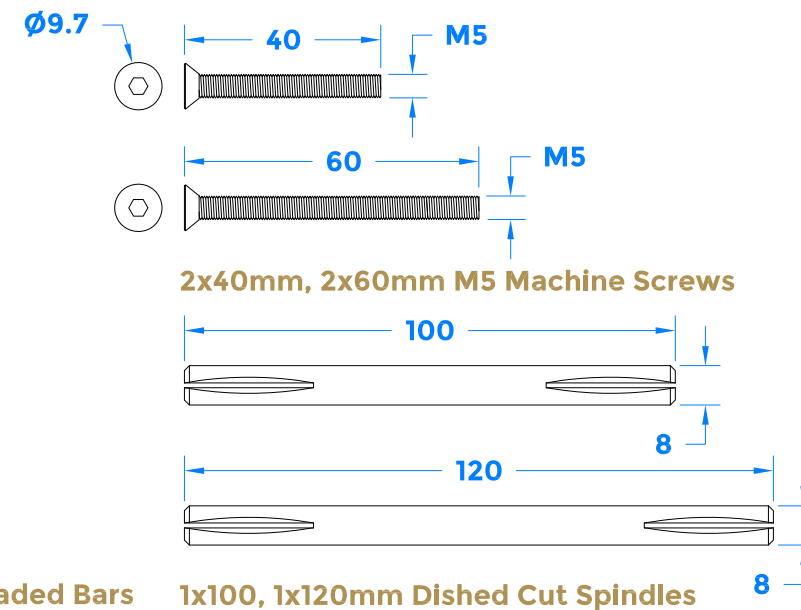


2xM5 Fixing Sleeve



2x30, 2x50mm M5 Threaded Bars

### Fixings Supplied



2x40mm, 2x60mm M5 Machine Screws

1x100, 1x120mm Dished Cut Spindles

coastal-group.com  
*Shaping the future.*

**COASTAL**

Part Number / Drawing Title:  
**KANTEL AML096 (107 Degree)  
 Angled Mitre Lever on Backplate**

Product Range:  
**MPL Door Handles**

Material: 316 Stainless Steel

Additional Info: For use on 92mm Lock Centres (Universal)

Date Drawn: 02/09/2025

Drawn By: Phillip Walklett

Part Number: AML096

File Name: AML096.dwg

Revision: A

Drawing Scale: Not to Scale

Sheet Number: 1 of 1

THIRD ANGLE PROJECTION

This drawing and specification are the property of Coastal Specialist Ironmongery Ltd, they are issued in strict confidence and shall not be reproduced, copied or used without written permission. ESOE - All dimensions are specified in mm.