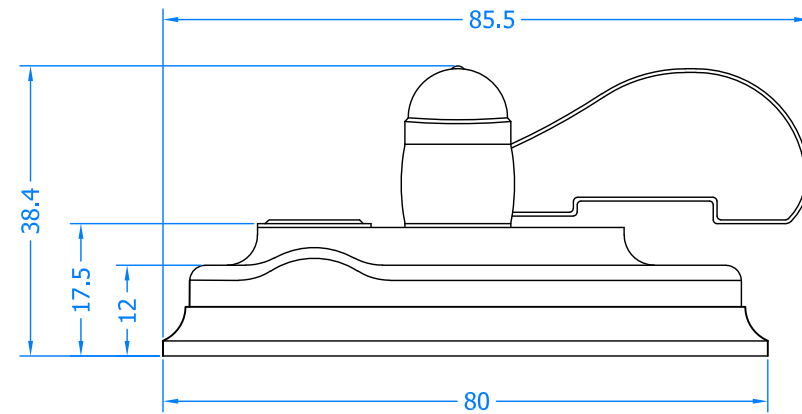
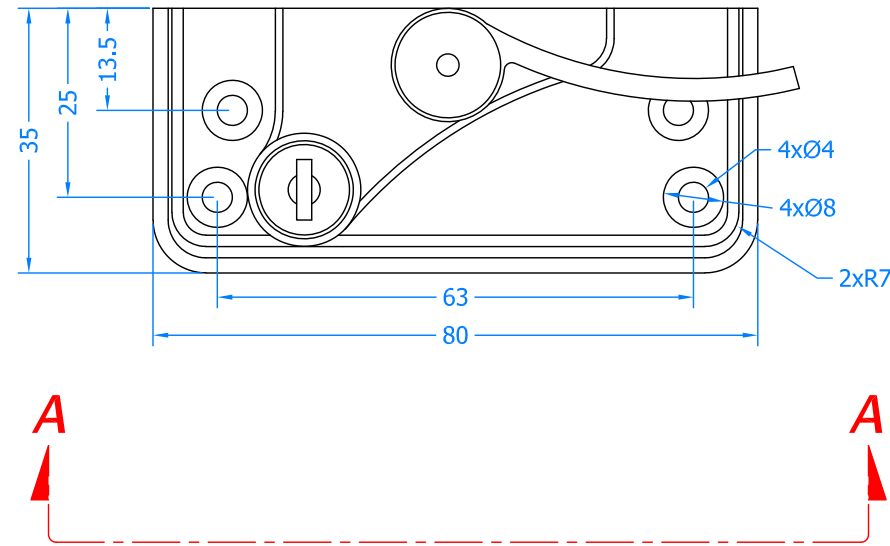


REVISION HISTORY

Revision	Description	Drawn	Date
A	Release	PW	14/11/17



Section A-A

 *Innovating & Upgrading the Style,
Performance & Longevity of
External Doors & Windows Globally.*

Coastal Specialist Ironmongery Ltd.

Global House, Bojea Industrial Estate, Trethowel, St Austell, PL25 5RJ
t | 01726 871725 - f | 01726 871731 - e | sales@coastal-group.com
w | www.coastal-group.com

Drawing Title:
**SF34F-SBD
Acorn Lockable Cam Fastener**

Product Range:
Sliding Sash Window Gear

Additional Info: **High Security**

Date Drawn: 16/10/2018

Drawn By: Phil Walklett

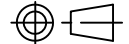
Part Number: **SF34F-SBD**

File Name: CG-SF34F-SBD.dwg

Revision: **A**

Drawing Scale: 1:1@A3

Sheet Number: 1 of 1

THIRD ANGLE PROJECTION  This drawing and specification are the property of Coastal, they are issued in strict confidence and shall not be reproduced, copied or used without written permission.