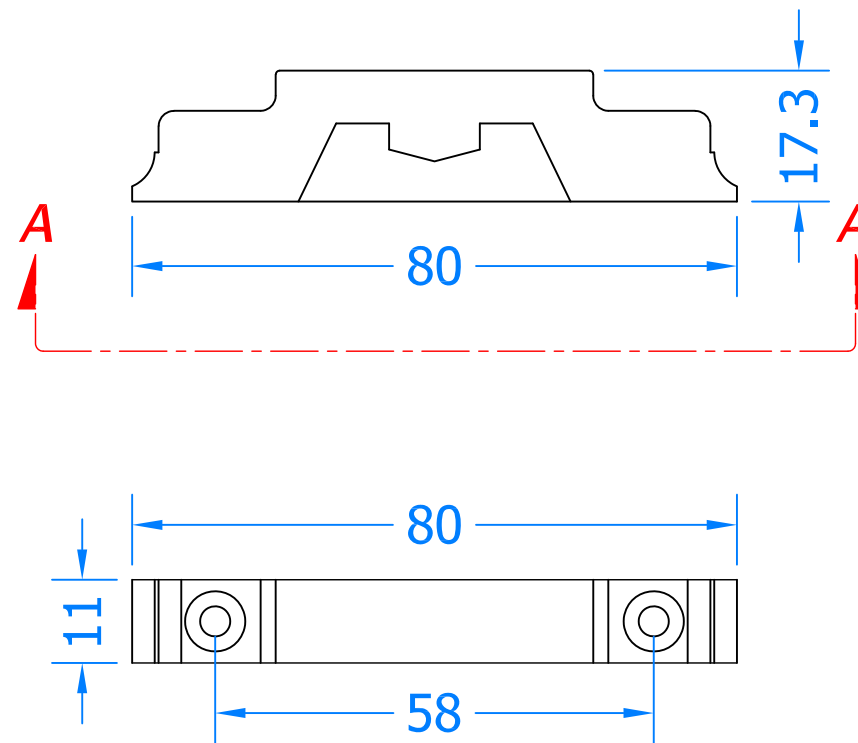


**REVISION HISTORY**

Revision	Description	Drawn	Date
A	Release	PW	16/10/18



**Section A-A**

 *Innovating & Upgrading the Style,  
Performance & Longevity of  
External Doors & Windows Globally.*

**Coastal Specialist Ironmongery Ltd.**

Global House, Bojea Industrial Estate, Trethowel, St Austell, PL25 5RJ  
t | 01726 871725 - f | 01726 871731 - e | sales@coastal-group.com  
w | www.coastal-group.com

Drawing Title:  
**SF34K-STD  
Standard Cam Keep**

Product Range:  
**Sliding Sash Window Gear**

Additional Info:

Date Drawn: 16/10/2018

Drawn By: Phil Walklett

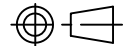
Part Number: SF34K-STD

File Name: CG-SF34K-STD.dwg

Revision: A

Drawing Scale: 1:1@A3

Sheet Number: 1 of 1

**THIRD ANGLE PROJECTION**  This drawing and specification are the property of Coastal, they are issued in strict confidence and shall not be reproduced, copied or used without written permission.