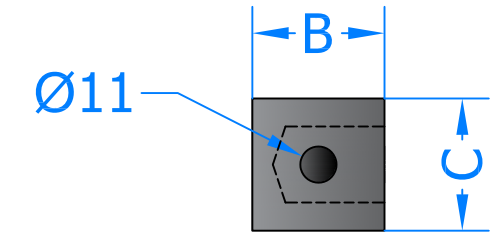
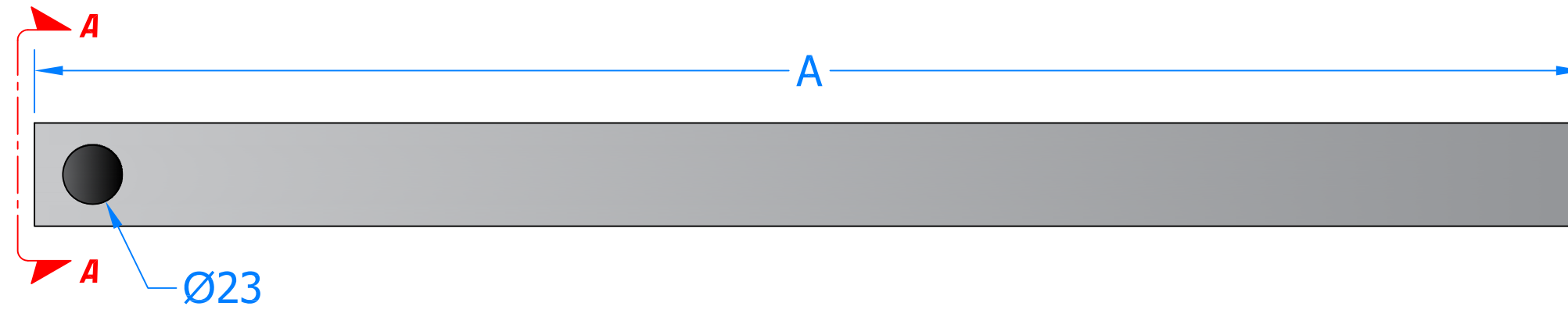


REVISION HISTORY

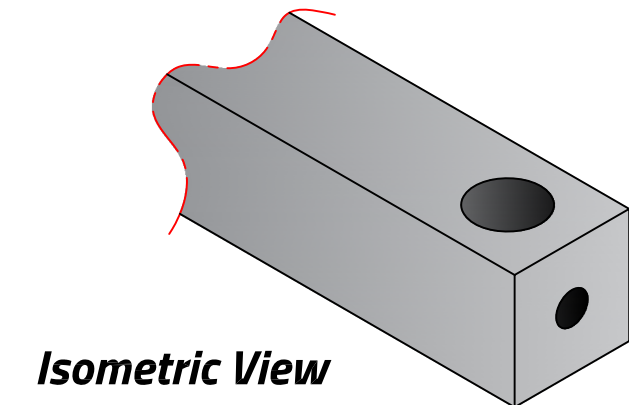
Revision	Description	Drawn	Date
A	Release	PW	18-10-18



Section A-A

Dimension & Weight Chart

Stock Code	Dim A	Dim B	Dim C	Weight	Stock Code	Dim A	Dim B	Dim C	Weight
SW6	218mm	40mm	40mm	6lb/2.7kg	SW20	580mm	45mm	45mm	20lb/9.1kg
SW7	255mm	40mm	40mm	7lb/3.2kg	SW21	609mm	45mm	45mm	21lb/9.5kg
SW8	290mm	40mm	40mm	8lb/3.6kg	SW22	638mm	45mm	45mm	22lb/10kg
SW9	325mm	40mm	40mm	9lb/4.1kg	SW23	667mm	45mm	45mm	23lb/10.4kg
SW10	363mm	40mm	40mm	10lb/4.5kg	SW24	560mm	50mm	50mm	24lb/10.9kg
SW11	392mm	40mm	40mm	11lb/5kg	SW25	585mm	50mm	50mm	25lb/11.3kg
SW12	348mm	45mm	45mm	12lb/5.4kg	SW26	598mm	50mm	50mm	26lb/11.8kg
SW13	377mm	45mm	45mm	13lb/5.9kg	SW27	620mm	50mm	50mm	27lb/12.2kg
SW14	406mm	45mm	45mm	14lb/6.3kg	SW28	650mm	50mm	50mm	28lb/12.7kg
SW15	435mm	45mm	45mm	15lb/6.8kg	SW29	680mm	50mm	50mm	29lb/13.2kg
SW16	464mm	45mm	45mm	16lb/7.3kg	SW30	695mm	50mm	50mm	30lb/13.6kg
SW17	493mm	45mm	45mm	17lb/7.7kg	SW31	725mm	50mm	50mm	31lb/14.0kg
SW18	522mm	45mm	45mm	18lb/8.2kg	SW32	752mm	50mm	50mm	32lb/14.5kg
SW19	551mm	45mm	45mm	19lb/8.6kg	SW33	772mm	50mm	50mm	33lb/14.9kg



Isometric View

Innovating & Upgrading the Style, Performance & Longevity of External Doors & Windows Globally.

Coastal Specialist Ironmongery Ltd.
 Global House, Bojea Industrial Estate, Trethowel, St Austell, PL25 5RJ
 t | 01726 871725 - f | 01726 871731 - e | sales@coastal-group.com
 w | www.coastal-group.com

Drawing Title:
SW6 to SW33 Sliding Sash Steel Weights

Product Range:
Sliding Sash

Additional Info:

Date Drawn:	18/10/2018
Drawn By:	Phil Walklett
Part Number:	SW6 to SW33
File Name:	CG-SW6-33.dwg
Revision:	A
Drawing Scale:	Not to Scale
Sheet Number:	1 of 1

THIRD ANGLE PROJECTION  This drawing and specification are the property of Coastal, they are issued in strict confidence and shall not be reproduced, copied or used without written permission.