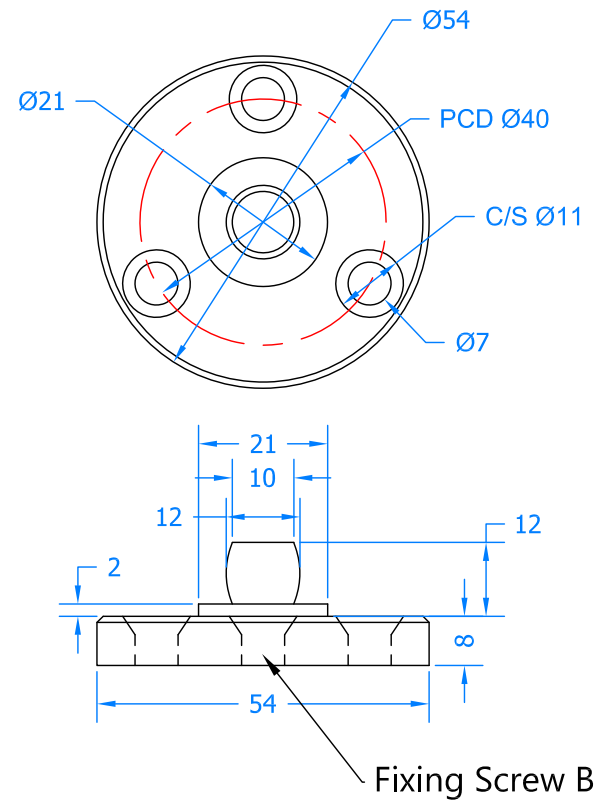


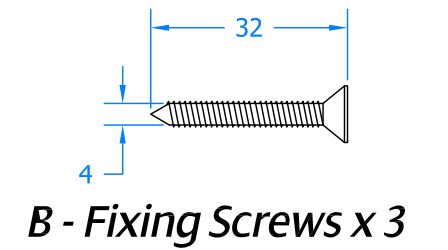
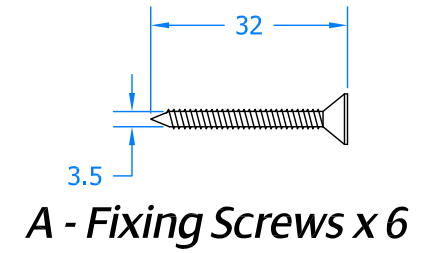
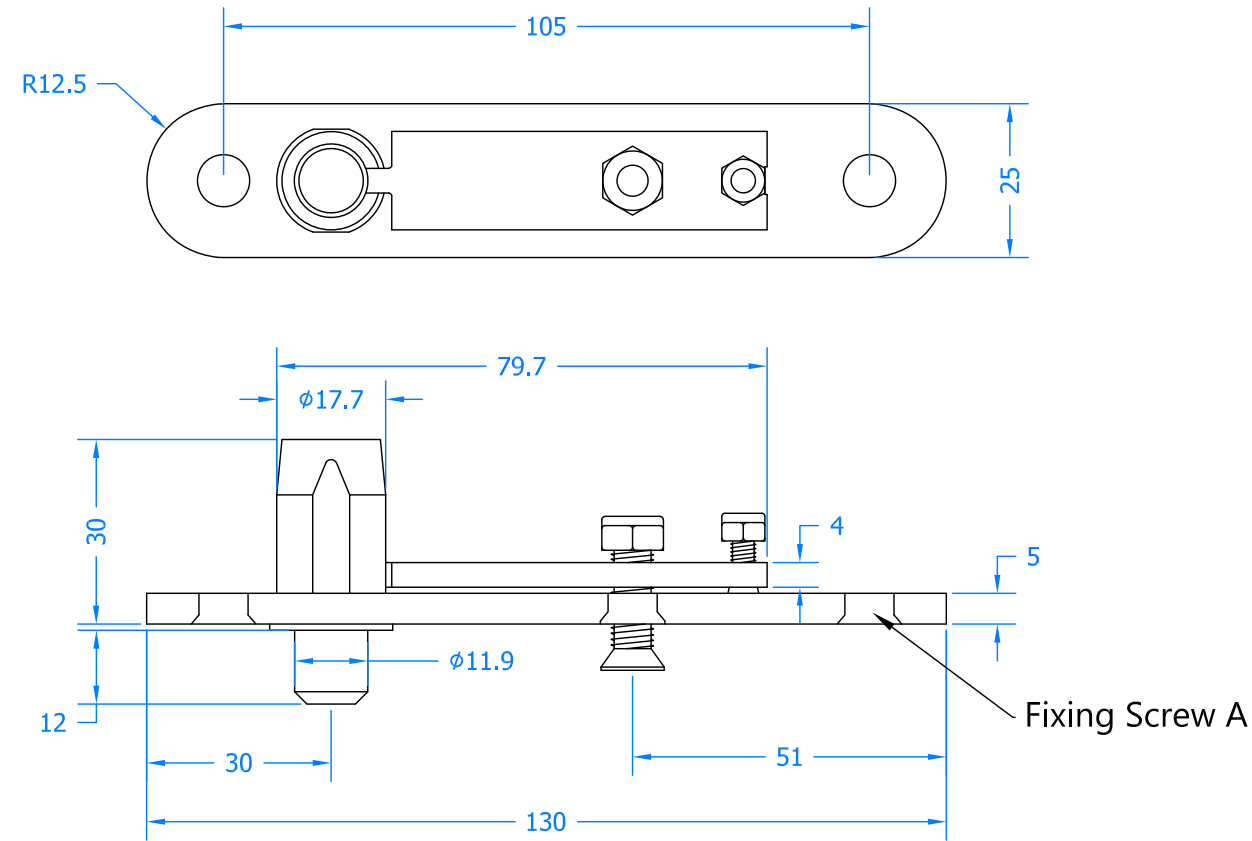
REVISION HISTORY

Revision	Description	Drawn	Date
A	Release	PW	21/03/17

Bottom Pivot Bracket

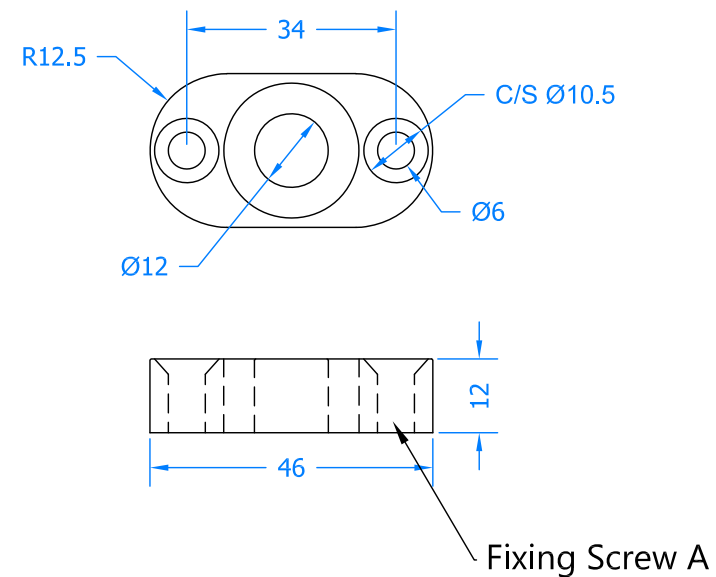


Top Frame Bracket



Maximum Door Width 1100mm

Door Plate Bush



Innovating & Upgrading the Style, Performance & Longevity of External Doors & Windows Globally.

Coastal Specialist Ironmongery Ltd.
 Global House, Bojea Industrial Estate, Trethowel, St Austell, PL25 5RJ
 t | 01726 871725 - f | 01726 871731 - e | sales@coastal-group.com
 w | www.coastal-group.com

Drawing Title:
H131-401
120kg Double Action Pivot Set

Product Range:
Pivot Hinges

Additional Info: 304 Stainless Steel

Date Drawn: 21/03/2017
 Drawn By: Phil Walklett
 Part Number: H131-401
 File Name: CG-H131-401.dwg
 Revision: A
 Drawing Scale: Not to Scale
 Sheet Number: 1 of 1

THIRD ANGLE PROJECTION

This drawing and specification are the property of Coastal, they are issued in strict confidence and shall not be reproduced, copied or used without written permission.